

Model PA-24-2

UHF Portable Antenna 2400 - 2485 MHz

DESCRIPTION

Portable antennas working on WLAN band and particularly suitable for computer network communication. They are made of high quality materials and available with angle connectors TNC-male rev. pol. or SMA-male rev. rol. for 90° inclination.

SPECIFICATIONS

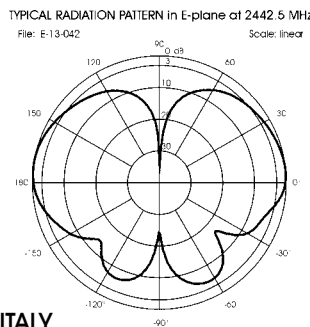
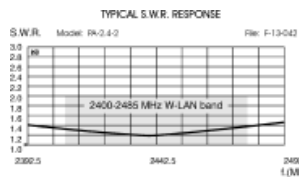
Electrical data:

Type:	1/2 λ Dipole (indoor use)
Frequency range:	2400-2485 MHz for WLAN system
Impedance:	50 Ω Unbalanced
Radiation (H-plane):	360° Omnidirectional
Radiation (E-plane):	beamwidth at -3 dB =60°
Radiation angle:	0°
Polarization:	Linear Vertical
S.W.R. in bandwidth:	$\leq 1.6:1$
Gain:	0 dBd - 2.15 dBi
Max power:	1 Watt at 50°C
Connector:	
PA-2.4-2 TNC:	TNC-male rev. pol. 90° inclination
PA-2.4-2 SMA:	SMA-male rev. pol. 90° inclination



Mechanical Data

Materials:	Chromed Brass, Copper, Thermoplastic
Dimensions (approx.):	
PA-2.4-2 TNC:	\varnothing 14.5 x 141 mm
PA-2.4-2 SMA:	\varnothing 10 x 108 mm
Operating temperature:	-20° C to +50° C
Weight (approx.):	25 gr



SIRIO
antenne

HI-QUALITY ANTENNAS MADE IN ITALY