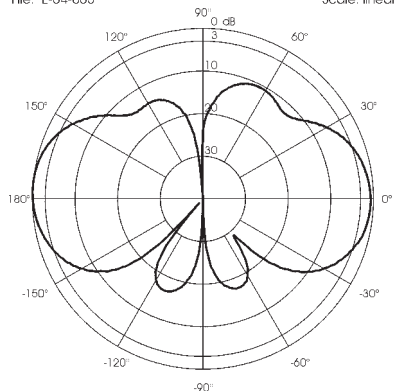


TYPICAL RADIATION PATTERN in E-plane at 145 MHz

File: E-04-003

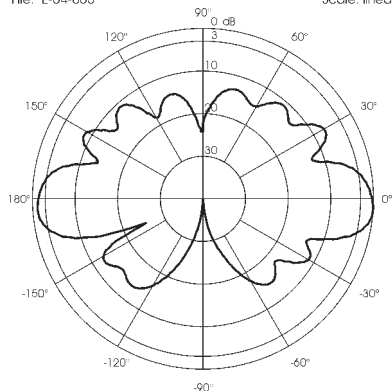
Scale: linear



TYPICAL RADIATION PATTERN in E-plane at 435 MHz

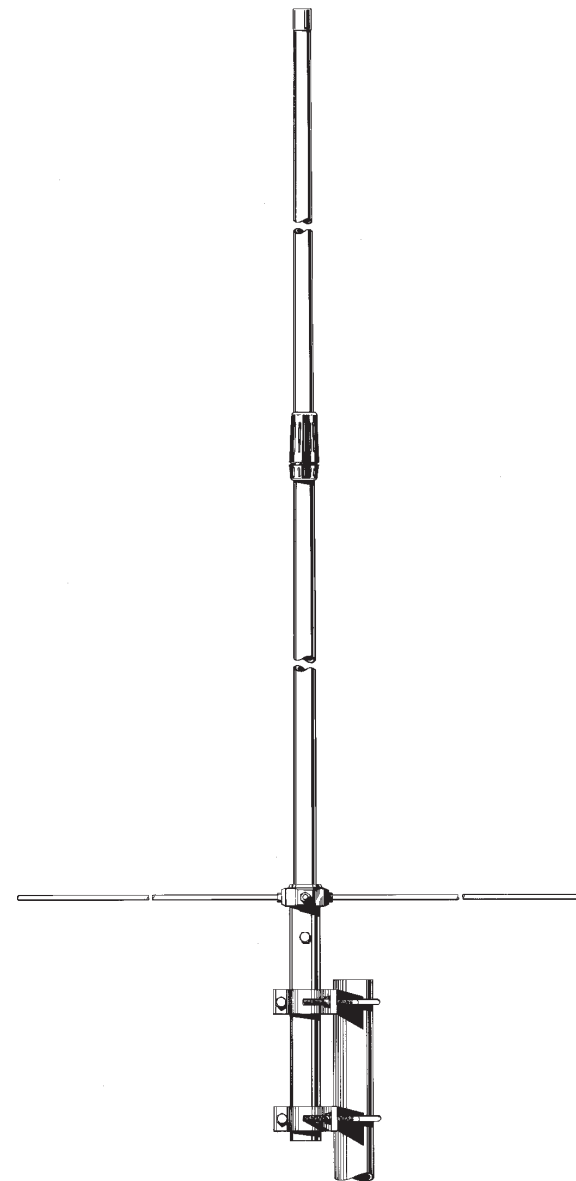
File: E-04-003

Scale: linear



Model SA 270 LN

Fiberglass Hi-Gain Dual Band Antenna



Installation Manual

DESCRIPTION

Ground Plane colinear dual-band antenna for base station service working on the radio-amateur frequency of 2m/70cm. The radial whip is of brass inserted in a conic fiberglass tube for a perfect protection from the worst climates and the radials are of stainless steel to get the maximum strength. They are supplied with a solid aluminium bracket for an easy installation on the support mast.

SPECIFICATIONS

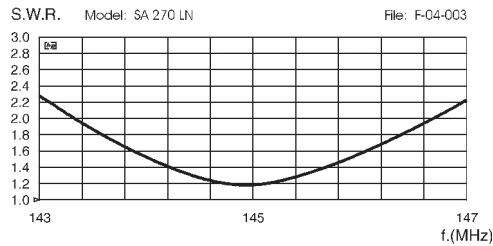
Electrical Data

Type	:	VHF 2 x 5/8 λ; UHF 5 x 5/8 λ
Frequency Range	:	VHF 143-147 MHz; UHF 430-440 MHz
Impedance	:	50 Ω
Radiation (H-plane)	:	360° Omnidirectional
Radiation (E-plane)	:	Beamwidth at -3 dB = VHF 39°; UHF 22°
Radiation angle deg.	:	VHF 0°; UHF -4°
Polarization	:	Vertical
Gain	:	VHF 3.2 dBd - 5.45 dBi; UHF 5.8 dBd - 7.95 dBi
Bandwidth at V.S.W.R. 2:1	:	VHF 3.4 MHz; UHF 18.6 MHz
V.S.W.R. at res. freq.	:	VHF ≤ 1.3 : 1; UHF ≤ 1.2 : 1
Max Power	:	200 Watts
Feed System / Position	:	Transformer DC-Ground / Base
Connection	:	"N" Female Gold Plated

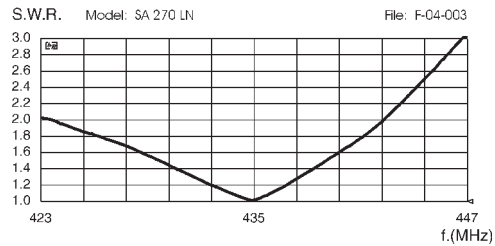
Mechanical Data

Materials	:	Brass, Fiberglass, Stainless Steel, Aluminium
Wind Resistance	:	160 Km/h
Length (approx.)	:	2790 mm
Weight (approx.)	:	1250 gr
Radial Length (approx)	:	495 mm
Mounting Mast	:	Ø 35-54 mm

TYPICAL S.W.R. RESPONSE



TYPICAL S.W.R. RESPONSE



MOUNTING INSTRUCTIONS

