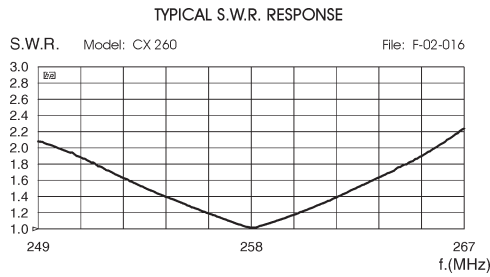
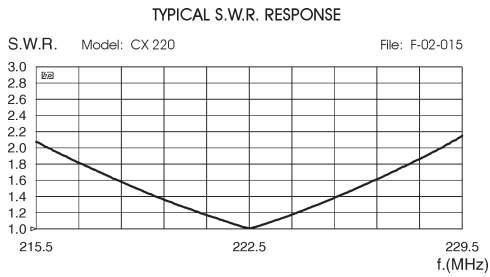
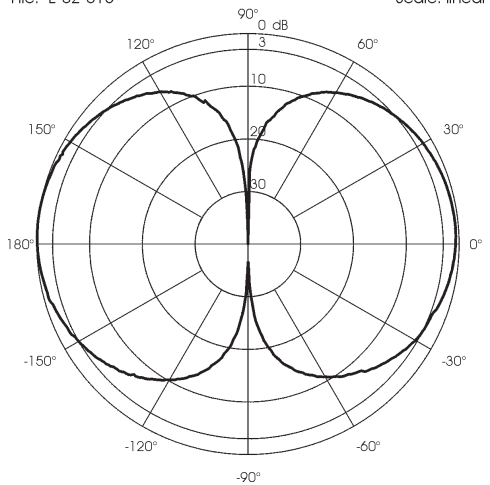


CX 220/260

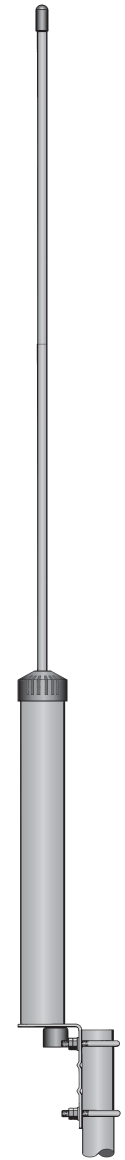
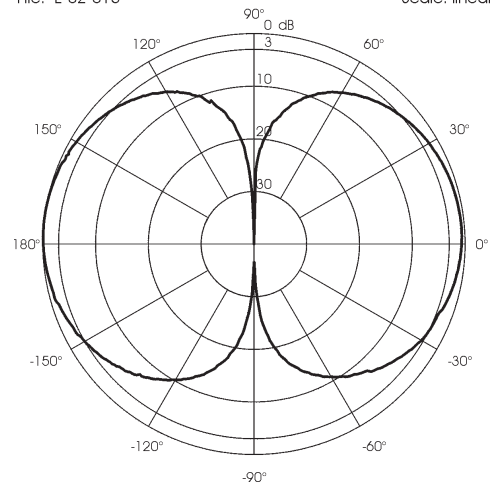
VHF Base Station Antennas 216-229 / 250-266 MHz



TYPICAL RADIATION PATTERN in E-plane at 222 MHz
File: E-02-015



TYPICAL RADIATION PATTERN in E-plane at 258 MHz
File: E-02-016



DESCRIPTION

3/4 λ VHF antenna for base station service made of high quality materials to get the best performance and the maximum efficiency. It is completely manufactured with aluminium tubes and nylon for its great robustness and it is supplied with a solid steel bracket for an easy and safe installation. Its Gamma Match feed makes it earthed for a perfect protection against the static discharges. In the mentioned range of frequencies, adjustments are not required. Simple and strong, it is particularly recommended for a professional use.

SPECIFICATIONS

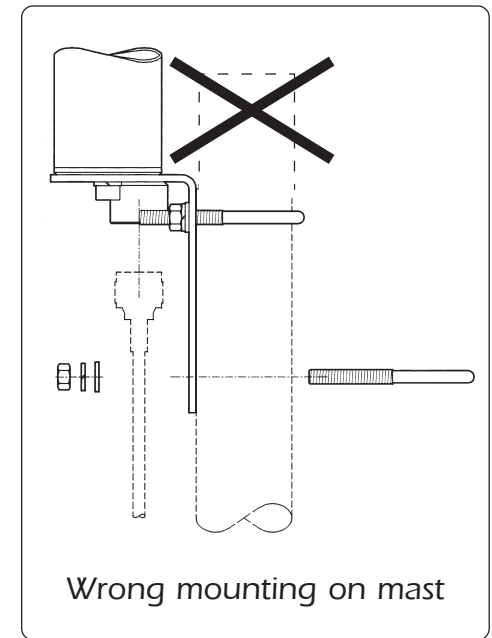
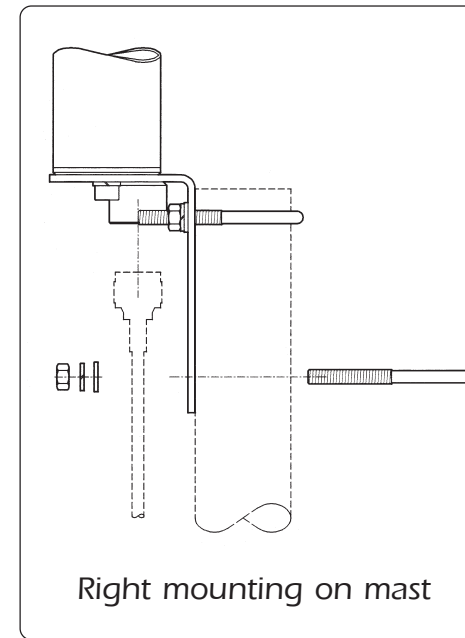
Electrical Data

Type	: 3/4 λ Coax. J-Pole
Frequency Range @ SWR \leq 2.0	: CX 220 U/N 216-229 MHz
	: CX 260 U/N 250-266 MHz
Impedance	: 50 Ω Unbalanced
Radiation (H-Plane)	: 360° Omnidirectional
Radiation (E-Plane)	: Beamwidth at -3 dB = 60°
Radiation angle deg.	: -2°
Polarization	: Vertical
Gain	: 2 dBd - 4.15 dBi
Bandwidth @ SWR 1.5	: CX 220 U/N \geq 7.4 MHz
	: CX 260 U/N \geq 9.2 MHz
SWR @ res. freq.	: \leq 1.2
Max Power	: 200 Watts
Feed System / Position	: Gamma Match / Base
Connector	: CX 220/260 U: UHF-Female
	: CX 220/260 N: N-Female

Mechanical Data

Materials	: Nylon, Brass, Steel, Aluminium
Wind Load / Resistance	: 36 N at 150 Km/h / 180 Km/h
Wind Surface	: 0.03 m ²
Height (approx.)	: CX 220 U/N 1100 mm
	: CX 260 U/N 950 mm
Weight (approx.)	: 600 gr
Mounting Mast	: \varnothing 35-42 mm

MOUNTING INSTRUCTIONS



HARDWARE PARTS LIST

Qty	Descriptions
n.2	U-bolts
n.4	M6 flat washer
n.4	M6 lock washer
n.4	M6 hex nut