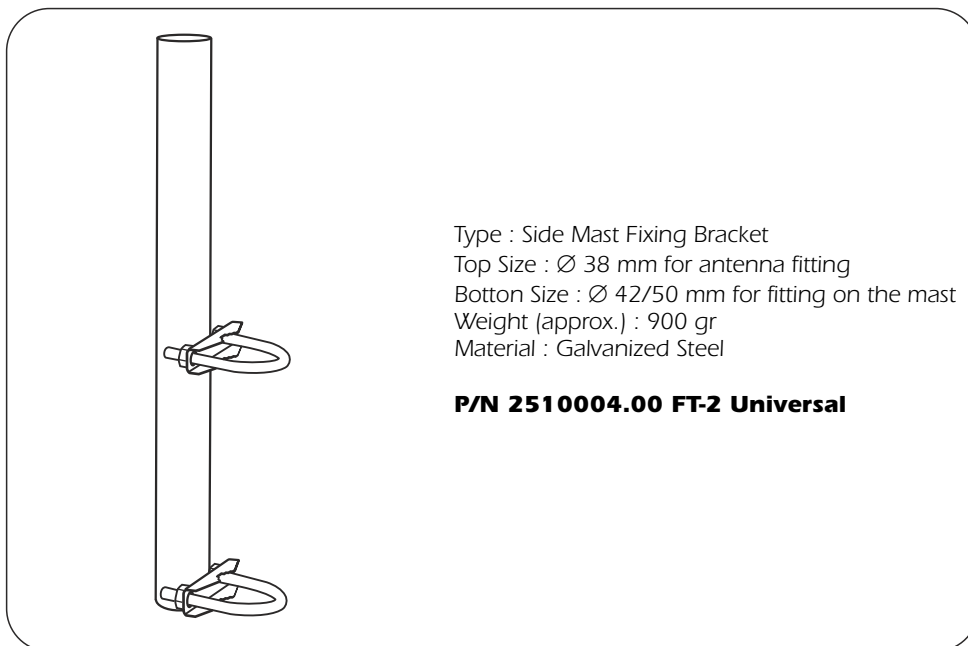


**OPTIONAL FT-2 FIXING BRACKET**



**GP 430 LB**  
**UHF Base Station Antenna 380-480 MHz**



## DESCRIPTION

1/4  $\lambda$  wide-band antenna for base station service covering the frequency range of 380-480 MHz. It has been developed according to the most modern technologies to assure a perfect protection against the worst atmospheric climates and to get the best performance. It is entirely made of aluminium to assure strength and robustness and its radial whip is earthed.

## SPECIFICATIONS

### Electrical Data

Type	: 1/4 $\lambda$ Ground Plane Large Band
Frequency Range	: 380-480 MHz @ SWR $\leq$ 1.7
Impedance	: 50 $\Omega$
Radiation (H-plane)	: 360° omnidirectional
Radiation (E-plane)	: Beamwidth @ -3 dB = 80°
Radiation Angle	: 0°
Polarization	: Linear Vertical
Gain	: 0 dBd - 2.15dBi
Max Power (CW) @ 30° C	: 300 Watts
Grounding Protection	: All metal parts are DC-grounded, the inner conductor shows a DC-short
Connector type	
GP 160 LB - U	: UHF Female with gold plated central pin
GP 160 LB - N	: N Female with gold plated central pin and PTFE insulator

### Mechanical Data

Material	: Anodized Aluminium, Nylon, Stainless Steel
Wind Load / Resistance	: 18N @ 150 Km/h / 180 Km/h
Wind Surface	: 0.02 m <sup>2</sup>
Height (approx.)	: 295 mm
Weight (approx.)	: 830 gr
Radial Length (approx.)	: 200 mm
Mounting Mast	: $\varnothing$ 36-40 mm

## MOUNTING INSTRUCTIONS

Part list	
Q.ty	Description
1	Main radiator with connector
3	$\varnothing$ 10 mm Aluminium radials
3	PVC cap for aluminium radials
2	M8x10 Hexagon socket screw
1	4mm Allen key

Mounting needed tools:	
n. 1	11 mm open key

