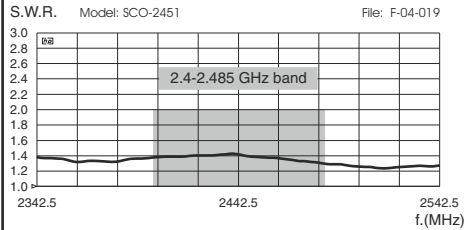


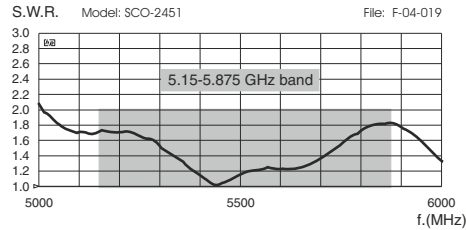
OMNI W-LAN DUAL-BAND SCO-2451

UHF Base Station Antenna 2.4 - 2.485 & 5.15 - 5.875 GHz

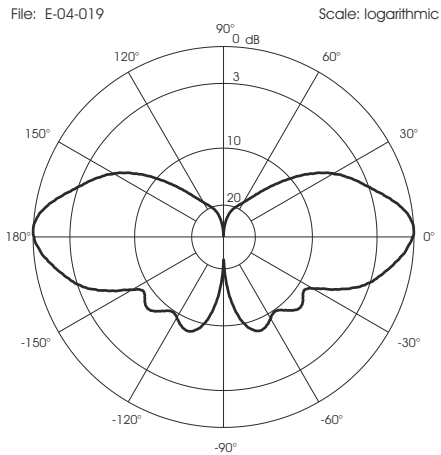
TYPICAL S.W.R. RESPONSE



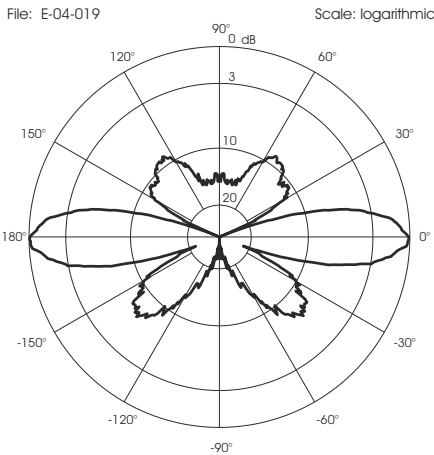
TYPICAL S.W.R. RESPONSE



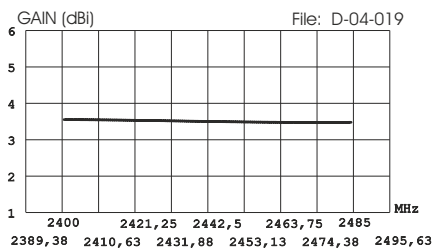
TYPICAL RADIATION PATTERN in E-plane at 2.4425 GHz



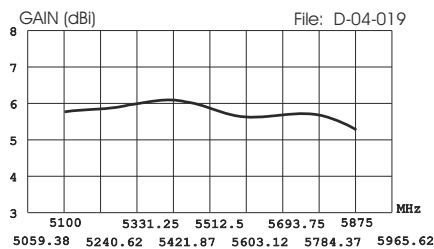
TYPICAL RADIATION PATTERN in E-plane at 5.5125 GHz



TYPICAL GAIN DIAGRAM vs FREQUENCY



TYPICAL GAIN DIAGRAM vs FREQUENCY



SCO-2451
N-m



SCO-2451
N-f



SPECIFICATIONS

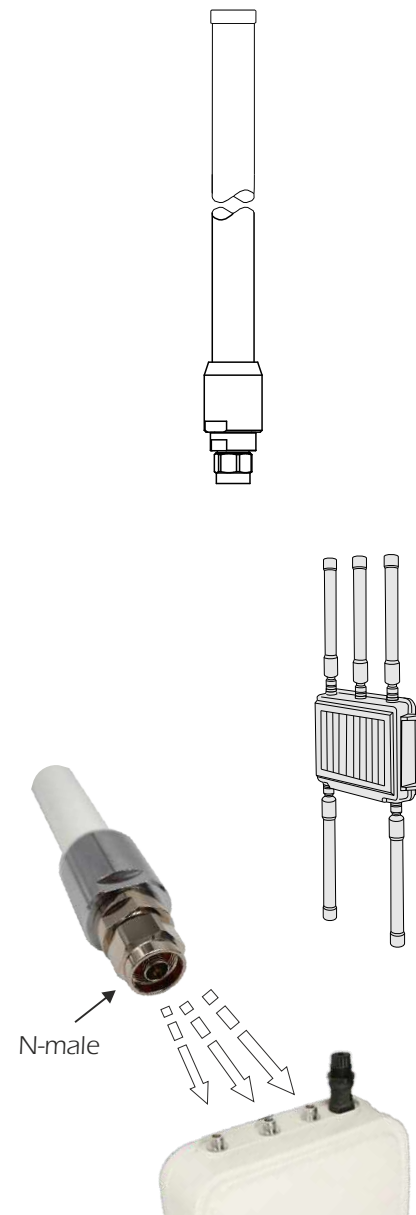
Electrical Data	SCO-2451 N-m	SCO-2451 N-f
Type	Colinear Dipole Array	
Frequency Range @ SWR ≤ 2.0	2400-2485 MHz & 5150-5875 MHz	
Impedance	50 Ω	
Radiation (H-plane)	360° omnidirectional	
Radiation (E-plane) Beamwidth @ -3 dB	30° @ 2442.5 MHz; 20° @ 5512.5 MHz	
Radiation angle deg.	0°	
Polarization	Linear Vertical	
Gain	4 dBi @ 2400-2485 MHz; 6 dBi @ 5150-5875 MHz	
Max Power (CW) @ 30° C	10 Watts	
Grounding Protection	All metal parts are DC-grounded, the inner conductor shows an open circuit	
Connector	N-m, gold plated pin	N-f, gold plated pin

Mechanical Data

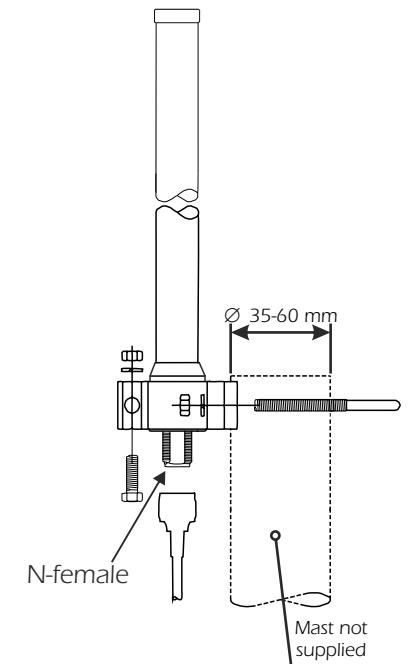
Housing & Radome Material	Fiberglass, Chromed Brass, Stainless Steel	
Bracket & Hardware Material	/	Aluminium, Stainless steel
Wind Load / Resistance	9 N @ 150 Km/h / 200 Km/h, 124 mi/h	
Wind Surface	0.007 m ² , 0.08 ft ²	
Height (approx.)	255 mm, 0.83 ft	
Weight (approx.)	330 gr, 0.72 lb	
Operating Temperature	-40 °C to +80 °C	
Ingress Protection	IP 67	
Installation type	Direct Router Installation	Mast: Ø 35-60 mm, Ø 1.4-2.4 in with V-bolt

MOUNTING INSTRUCTIONS

SCO-2451 N-m Direct router installation



SCO-2451 N-f



Bracket part list	
Q.ty	Description
1	Extruded aluminium bracket
1	M6x206 V-bolt
1	M6x20 Exagonal head screw
3	M6 Spring lock washer
3	M6 Hexagonal nut
Materials:	extruded aluminium
Hardware:	stainless steel
Dimensions:	85 x 65 x 25 mm
Weight:	110 g
Re-order code: P/N SA303	

