

SPO 2 m Series 5 dBi

Sirio Professional Omni

VHF Base Station Antennas 135-175 MHz

DESCRIPTION: New series of **wide band** omnidirectional base station antennas for VHF band suitable for marine service too. The fiberglass protection radome and the anodized aluminium parts guarantee robustness and long life to all the SPO-antennas series. They are supplied with two strong extruded aluminium brackets and stainless steel hardware for a good installation on the mast.

Electrical Data

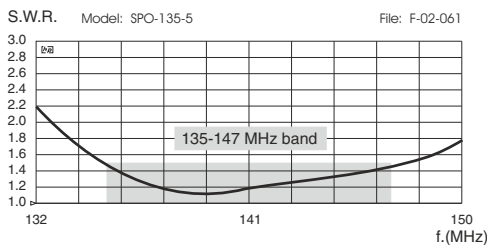
Model	SPO 135-5	SPO 145-5	SPO 150-5	SPO 158-5
Type	Colinear			
Frequency Range	135-147 MHz @ SWR ≤ 1.5	145-160 MHz @ SWR ≤ 1.5	150-165 MHz @ SWR ≤ 1.5	158-175 MHz @ SWR ≤ 1.5
Impedance	50 Ω			
Radiation (H-plane)	360° Omnidirectional - HCM code = 000ND00			
Radiation (E-plane)	Beamwidth @ -3dB = 40° - HCM code = 020ND000			
Radiation angle deg.	0°			
Polarization	Linear Vertical			
Gain	3 dBd - 5.15 dBi			
Max Power	100 Watts (CW) @ 30°C ambient			
Grounding Protection	All metal parts are DC-grounded, inner conductor shows a DC short			
Connector	N-female, with rubber protection cap			

Mechanical Data

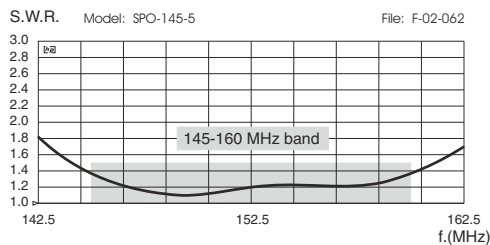
Materials	White fiberglass radome Ø 28.6 mm, anodized 6063-T5 aluminium, brass, stainless steel, copper, EPDM rubber.			
Wind Load at 150 km/h	104 N	98 N	98 N	93 N
Wind Resistance	150 Km/h; 93 mi/h			
Wind Surface	0.089m ² ; 0.95ft ²	0.083m ² ; 0.88ft ²	0.083m ² ; 0.88ft ²	0.078m ² ; 0.83ft ²
Operatin temperature	-40°C to + 80°C			
Height (approx.)	2940mm; 9.6ft	2740mm; 9ft	2740mm; 9ft	2590mm; 8.5ft
Weight (approx.)	2160gr; 4.7lb	2045gr; 4.5lb	2000gr; 4.4lb	1950gr; 4.3lb
Mounting Mast	Side mast with "V" bolt, Ø 35-60 mm Ø 1.4-2.4 in			



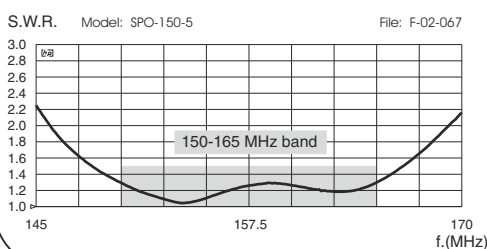
TYPICAL S.W.R. RESPONSE



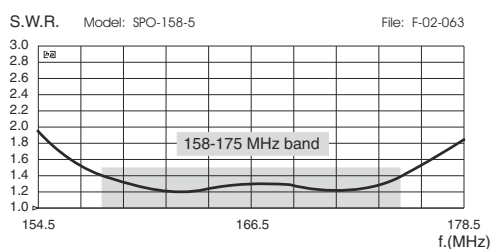
TYPICAL S.W.R. RESPONSE



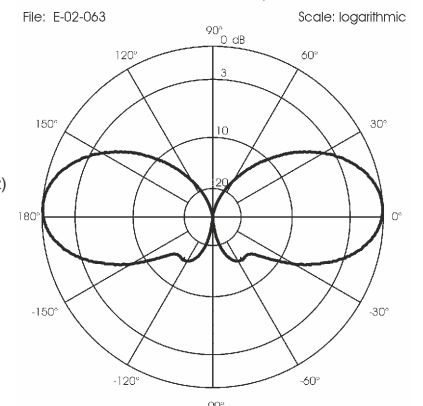
TYPICAL S.W.R. RESPONSE



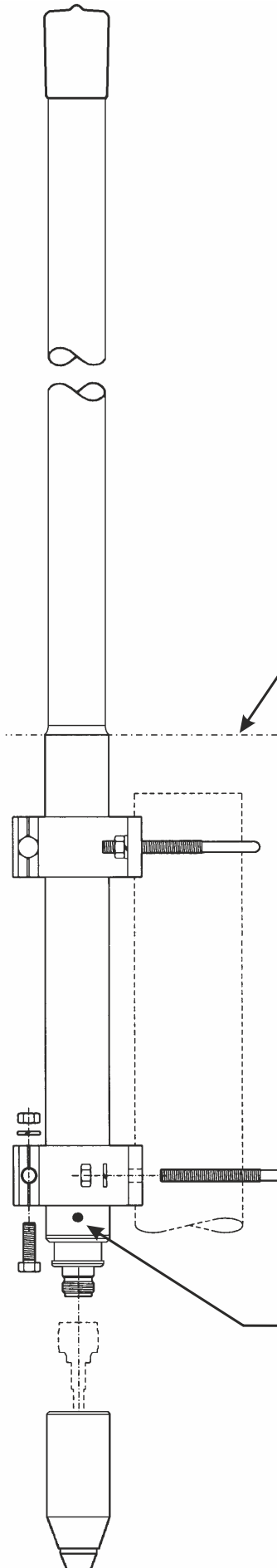
TYPICAL S.W.R. RESPONSE



TYPICAL RADIATION PATTERN in E-plane at mid-band



MOUNTING INSTRUCTIONS



ATTENTION!
The mounting mast
does not have to be
higher of the
aluminium tube


ATTENTION!
Leave the drainage
hole uncovered

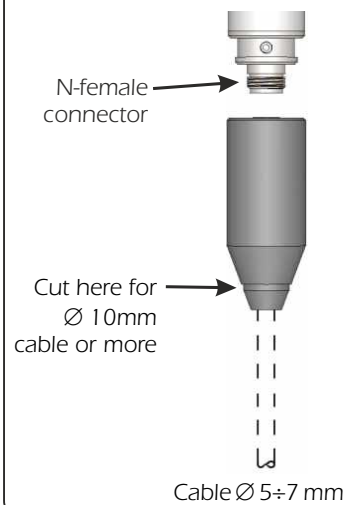
FT-5 fixing bracket:



FT-5 fixing bracket part list	
Q.ty	Description
2	Extruded aluminium bracket
2	M6x206 V-bolt
2	M6x20 Exagonal head screw
6	M6 Spring lock washer
6	M6 Hexagonal nut
Materials:	extruded aluminum
Hardware:	stainless steel
Dimensions :	85 x 65 x 25 mm
Weight:	220 g
Re-order code: 2519613.00	

Connector protection cap

Re-order code: TE06416



HI-QUALITY ANTENNAS MADE IN ITALY

