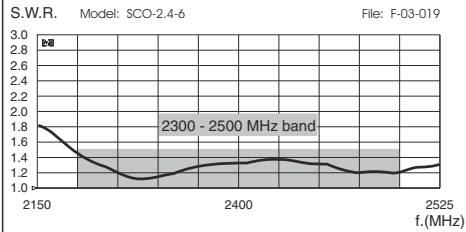


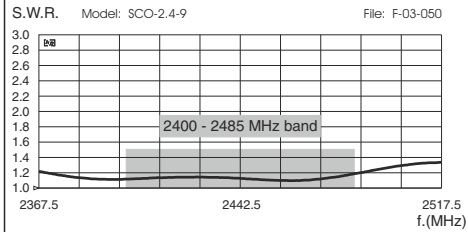
SCO-2.4-6

TYPICAL S.W.R. RESPONSE

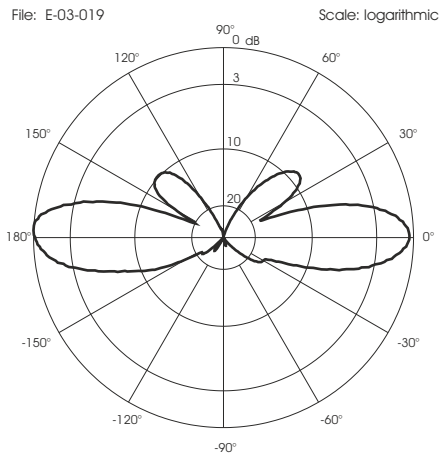


SCO-2.4-9

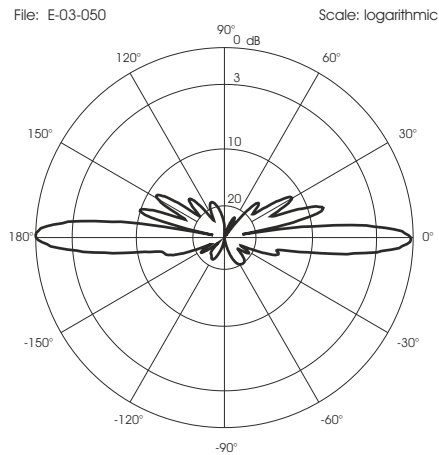
TYPICAL S.W.R. RESPONSE



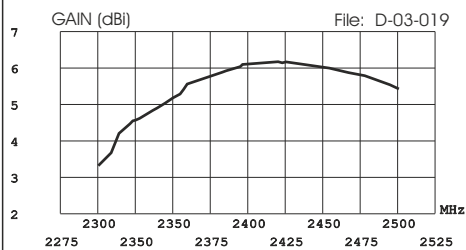
TYPICAL RADIATION PATTERN IN E-plane at 2442.5 MHz



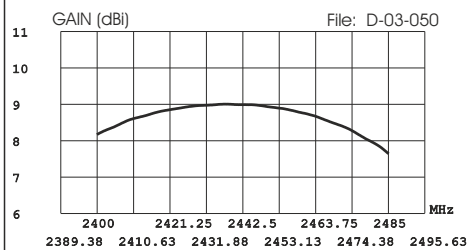
TYPICAL RADIATION PATTERN IN E-PLANE at 2442.5 MHz



TYPICAL GAIN DIAGRAM vs FREQUENCY



TYPICAL GAIN DIAGRAM vs FREQUENCY



OMNI W-LAN

SCO-2.4-6 SCO-2.4-9

UHF Base Station Antenna 2400 - 2485 MHz



**SCO-2.4-6
N-m**



**SCO-2.4-6
N-f**



**SCO-2.4-9
N-f**

SPECIFICATIONS

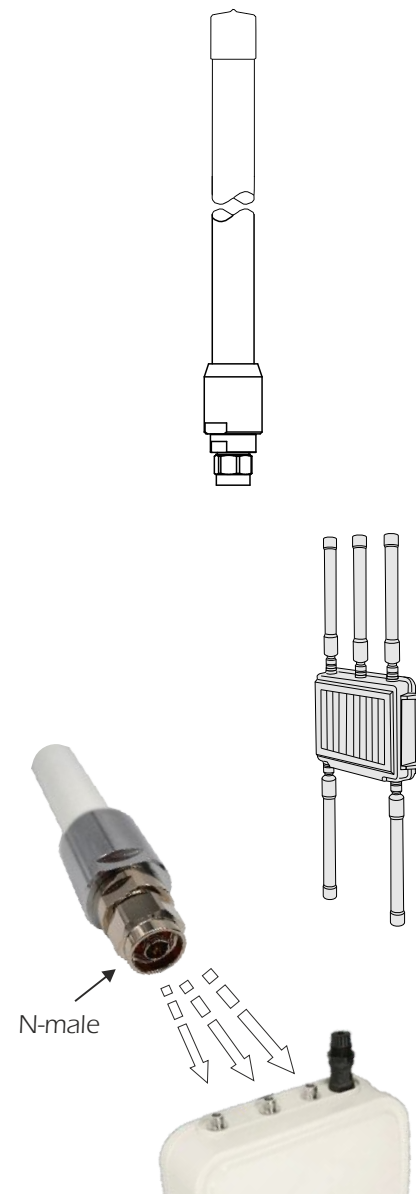
Electrical Data	SCO-2.4-6 N-m	SCO-2.4-6 N-f	SCO-2.4-9 N-f
Type	Colinear Dipole Array		
Frequency Range @ SWR ≤ 1.5	2300-2500 MHz		2400-2485 MHz
Impedance	50 Ω		
Radiation (H-plane)	360° omnidirectional		
Radiation (E-plane) Beamwidth @ -3 dB	22°	10°	
Radiation angle deg.	0°		
Polarization	Linear Vertical		
Gain	6 dBi	9 dBi	
Max Power (CW) @ 30° C	20 Watts		
Grounding Protection	All metal parts are DC-grounded, the inner conductor show a DC-short		
Connector	N-male, gold plated pin	N-fem., gold plated pin	N-fem., gold plated pin

Mechanical Data

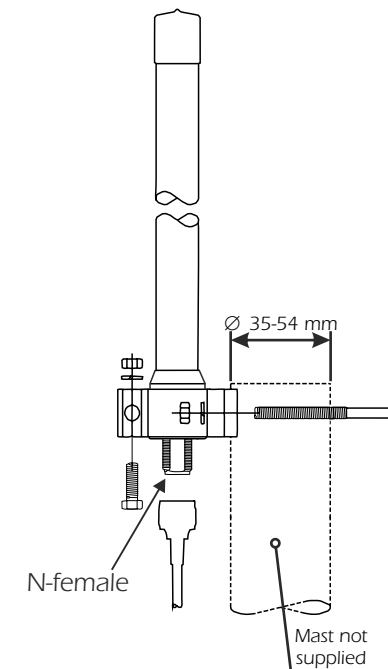
Housing & Radome Material	Fiberglass, Chromed Brass, Stainless Steel		
Bracket & Hardware Material	/	Aluminium, Stainless steel	Aluminium, Stainless steel
Wind Load / Resistance	19 N @ 150 Km/h / 200 Km/h		
Wind Surface	0.015 m ²		
Height (approx.)	325mm	630 mm	
Weight (approx.)	350 g	415 g	
Operating Temperature	-40 °C to +80 °C		
Ingress Protection	IP 64		
Installation type	Direct Router Installation	Mast: Ø 35-54 mm, Ø 1.4-2.1 in with V-bolt	Mast: Ø 35-54 mm, Ø 1.4-2.1 in with V-bolt

MOUNTING INSTRUCTIONS

SCO-2.4-6 N-m Direct router installation



SCO-2.4-6 N-f SCO-2.4-9 N-f



FT-5 bracket part list

Q.ty	Description
1	Extruded aluminium bracket
1	M6x188 V-bolt
1	M6x20 Exagonal head screw
3	M6 Spring lock washer
3	M6 Hexagonal nut
Materials:	extruded aluminum
Hardware:	stainless steel
Dimensions:	80 x 76 x 25 mm
Weight:	110 g
Re-order: P/N 2519613.00	

SA299 Optional Protection Nut



Factory assembled
upon request