

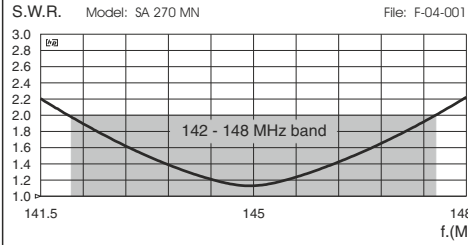
SA 270 MN

Fiberglass Hi-Gain Dual Band Antenna for 2m & 70cm bands

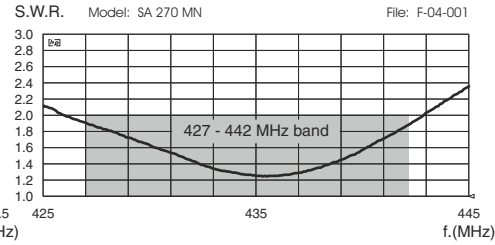


Installation Manual

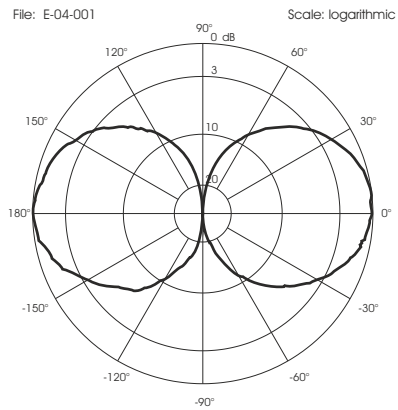
TYPICAL S.W.R. RESPONSE



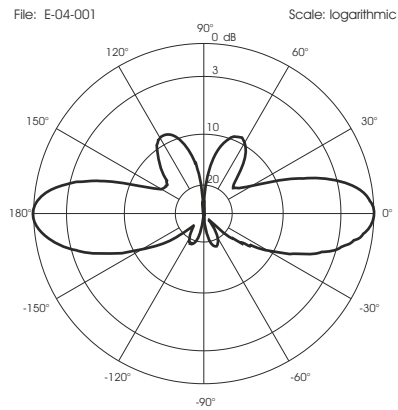
TYPICAL S.W.R. RESPONSE



TYPICAL RADIATION PATTERN in E-plane at 145 MHz



TYPICAL RADIATION PATTERN in E-plane at 435 MHz



DESCRIPTION

Ground Plane colinear dual-band antenna for base station service working on the radio-amateur frequency of 2m & 70cm. The whip is of brass inserted in a fiberglass tube for a perfect protection from the worst climates and its radials and hardware are of stainless steel to get the maximum strength. It is supplied with a solid aluminium bracket for an easy and safe installation to the support mast.

SPECIFICATIONS

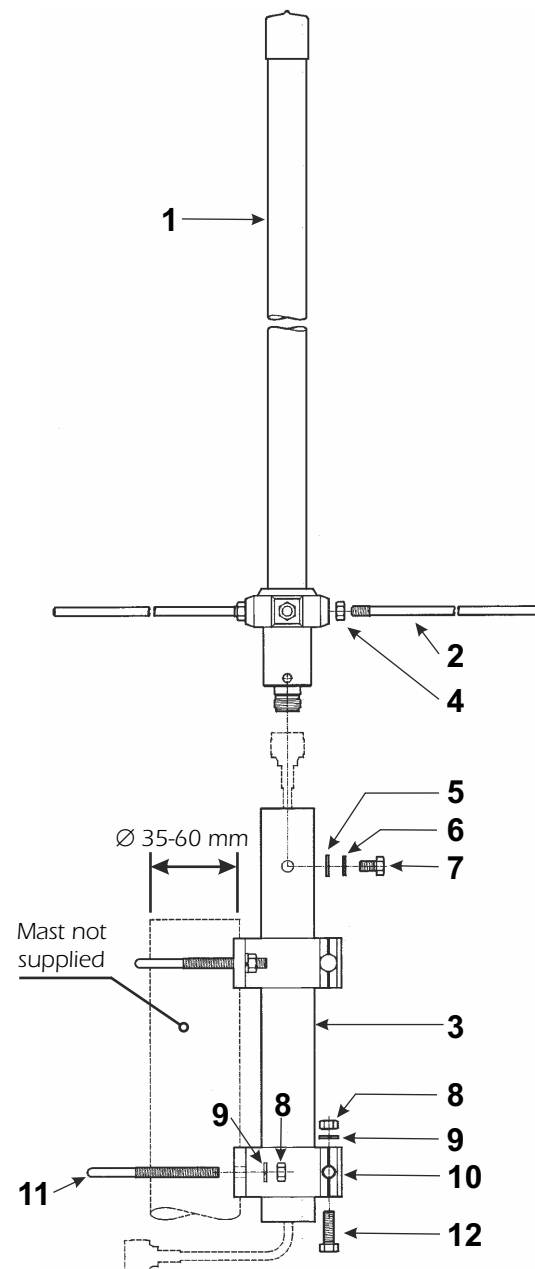
Electrical Data

Type	: VHF 6/8 λ; UHF 3 x 5/8 λ Colinear
Frequency Range @ SWR ≤ 2	: VHF 142-148 MHz; UHF 427 - 442 MHz
Impedance	: 50 Ω
Radiation (H-plane)	: 360° Omnidirectional - HCM code = 000ND00
Radiation (E-plane)	: Beamwidth @ -3 dB = VHF 61° - HCM code= 030ND00 UHF 30° - HCM code= 015ND36
Radiation angel deg	: VHF 0°; UHF 0°
Polarization	: Linear Vertical
Gain	: VHF 2 dBd - 4.15 dBi; UHF 4.2 dBd - 6.35 dBi
Max Power	: 200 Watts
Grounding Protection	: All metal parts are DC-grounded, the inner conductor is coupled capacitively
Connector	: N-female, Gold Plated central pin

Mechanical Data

Materials	: Fiberglass, Stainless Steel, Chromed Brass, Aluminium
Wind Load / Resistance	: 55 N @ 150 Km/h / 180 km/h; 112 mi/h
Wind Surface	: 0.05 m ² ; 0.54 ft ²
Height (approx.)	: 1720 mm, 5.6 ft
Weight (approx.)	: 1030 gr, 2.3 lb
Radial Length (approx.)	: 170 mm, 0.56 ft
Mounting Mast	: Ø 35-60 mm, Ø 1.4-2.4 in

MOUNTING INSTRUCTIONS



Part list

Pos	Q.ty	Description
1	1	Main antenna SA 270 MN
2	3	170mm AISI304 radials
3	1	Ø 29x32x250mm alu. tube
Antenna Fixing Part list Re-order code: SA038		
Pos	Q.ty	Description
4	3	M6 AISI304 Hexagonal nuts
5	1	M6 AISI304 Spring lock washer
6	1	M6 AISI304 Spring lock washer
7	1	M6x10 AISI304 Hex.head screw

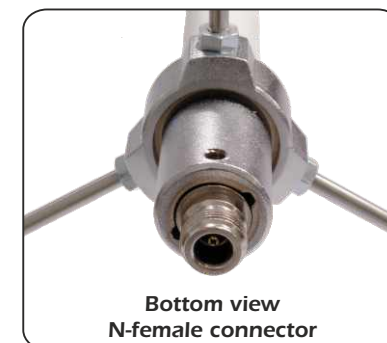
FT-5 Fixing Bracket Part list

Re-order code: 2519613.00

Pos	Q.ty	Description
8	6	M6 AISI304 Hexagonal nuts
9	6	M6 AISI304 Spring lock washers
10	2	Extruded aluminium brackets
11	2	M6x206 AISI304 V-bolt
12	2	M6x20 AISI304 Hex head screw

Mounting needed tools:

10 mm open key



Bottom view
N-female connector