

**2023**  
**2024**



**SIRIO**<sup>®</sup>  
**antenne**

- TETRA
- LoRa
- GSM DUAL
- UMTS
- 3G / 4G / 5G
- LTE
- W-LAN 2.4
- W-LAN 5

 **WIRELESS  
DIVISION**

**HIGH-TECHNOLOGY ANTENNAS**  
DESIGNED AND MANUFACTURED IN ITALY



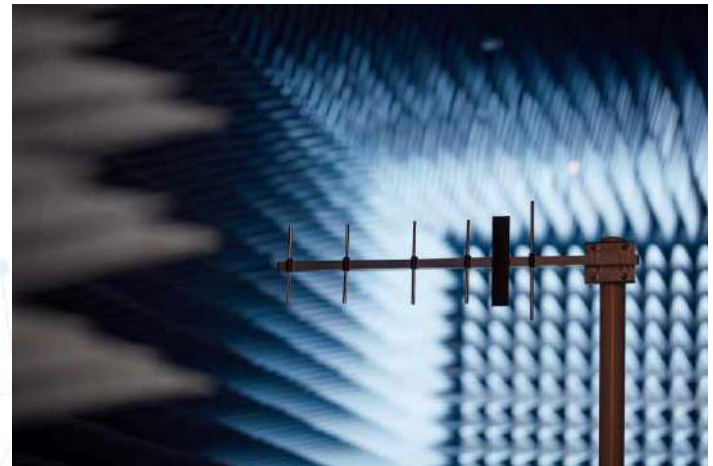


**Sirio Antenne** was established in 1972 in Volta Mantovana, a small town a few kilometres from Lake Garda, characterized by its ancient medieval castle. The company's location is logistically strategic for the development of its business and also easily reachable from the nearby Verona airport, which is only 35km away.

Here Giuseppe Grazioli began his activity and founded Sirio Antenne. He firmly believed in the future of WIRELESS' communication, at that time used only by the military, and decided to dedicate himself to the development of wider applications for civil use, contributing to a NEW form of communication now in common everyday use.



RF & Microwave lab.



Microwave anechoic chamber.



Main office

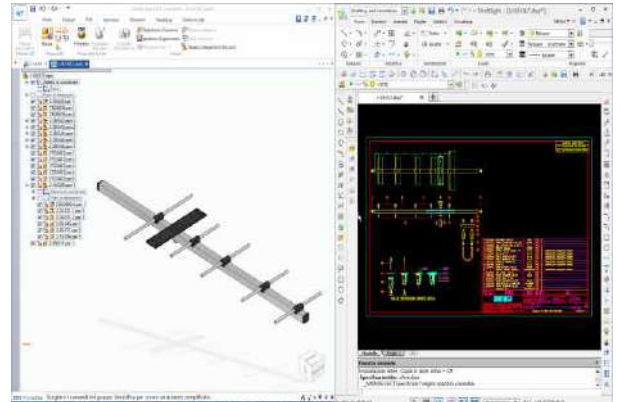
**QUALITY SYSTEM**  
 SIRIO antennae is a qualified ISO9001:2015 company since February 2004  
 Certification issued by international company DNV



## RESEARCH & DEVELOPMENT DEPARTMENT



RF & Microwave lab.



CAD 2D & 3D for mechanical design and EM Simulation

## PRODUCTION DEPT



Mobile antennas production department



Ultrasonic welding machine



CNC winding machine

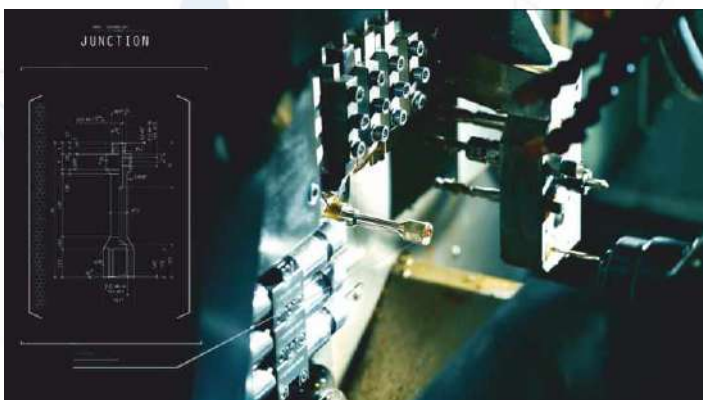


Coaxial cable cutting machines



Final test with network analyzer

## MACHINES SHOP



Sliding headstock CNC-lathe machines view



CNC machining centre view



## REFERENCE TABLE



Here below you'll find table **A** that will help you to easily find out the most suitable product for your purpose.

**1) CHOOSE THE TYPE OF INSTALLATION.** **BASE** station or vehicular **MOBILE** antennas.

**2) CHOOSE THE FREQUENCY BAND.** At the top of the table you can choose your preferred frequency band or the nearest one.

**3) CHOOSE THE PRODUCT.** Follow the vertical line of the chosen frequency band till you find the **coloured squares** that show the frequency bands covered. The name of the product and its corresponding data page is on the left side. You can easily find the page of your selected product.

### ADDITIONAL INFORMATION

All products have a **FIXED** band and no tuning is required. The corresponding frequency range is covered within a SWR limit indicated in the product's electrical data.



## TABLEAUX DE REFERENCES



Vous trouverez ci-dessous un tableau qui va faciliter la recherche d'un produit dans le catalogue. La procédure de recherche est la suivante:

**1) CHOISIR LE TYPE D'INSTALLATION.** Les antennes de stations **FIXES** sont dans la partie supérieure de tableau. Les antennes **MOBILES** sont dans la partie basse du tableau.

**2) CHOISIR LA FREQUENCE.** En haut du tableau, choisissez la bande de fréquences désirée. Si elle n'est pas mentionnée, veuillez choisir celle qui s'en rapproche le plus.

**3) CHOISIR LE PRODUIT.** Suivez la ligne verticale de la gamme de fréquences choisie jusqu'à ce que vous trouviez les **emplacements colorés** qui désignent les bandes de fréquences couvertes. Le nom du produit et la page correspondante dans le catalogue sont sur le côté gauche. Vous trouverez ainsi plus facilement la page du produit sélectionné.

### INFORMATIONS COMPLEMENTAIRES

Toute antenne a une bande de fréquences **FIXE** et qu'on ne peut pas la modifier. Aucun réglage n'est nécessaire et la limite de SWR de la bande de fréquences couverte est indiquée dans les spécifications du produit.



## TABELLA DI RICERCA



Di seguito è riportata la tabella **A** con lo scopo di facilitare la ricerca dei prodotti. La procedura di ricerca consiste in:

**1) SCELTA TIPO DI INSTALLAZIONE.** La parte superiore della tabella riporta i modelli per **stazione BASE**, le antenne **MOBILE** per installazione su veicoli sono riportati nella parte inferiore.

**2) SCELTA BANDA DI LAVORO.** Individuare nella **riga superiore** delle tabella la banda di lavoro desiderata. Se non fosse riportata individuare quella che possiede banda di lavoro più simile.

**3) SCELTA PRODOTTO.** Scorrere la riga verticale corrispondente alla banda di lavoro voluta fino ad incrociare i **rettangoli colorati** che indicano le bande di frequenze coperte. Pagina e modello sono riportati sulla stessa riga alla sinistra dei rettangoli così individuati. Consultare quindi la pagina del prodotto per conoscere tutte le particolarità.

### INFORMAZIONI AGGIUNTIVE

Tutti i prodotti hanno una banda **FISSA** non modificabile. Non occorre tarare nulla e tutta la banda dichiarata è coperta entro un limite di SWR specificato.



## TABLA DE REFERENCIA



Encontraremos la tabla **A** para facilitar la búsqueda de los productos. El procedimiento consiste en:

**1) SELECCION EL TIPO DE INSTALACIÓN.** Las antenas para **BASE** están situadas en la parte superior, las antenas **MOVILES** los encontraremos en la parte inferior de la tabla.

**2) ELECCION DE LA FRECUENCIA.** Seleccione en la línea superior de la tabla, el rango de frecuencia deseado. Si la frecuencia de trabajo no aparece, seleccionaremos la más próxima.

**3) ELECCION DEL PRODUCTO.** Siga la línea vertical correspondiente al rango de frecuencia deseado hasta que encontraremos los **cuadrados coloreados** que muestran el rango de frecuencia para cada modelo. El nombre del producto y los datos correspondientes a la página están en el lado izquierdo. De esta manera, localizaremos el producto y la página con facilidad.

### INFORMACION ADICIONAL

Las antenas no son modificables en su rango de frecuencia. No precisan ningún ajuste y cubren toda la banda especificada con el nivel de ROE.

The frequencies table for the most common systems / Tabella delle bande di frequenze dei sistemi più utilizzati

Band	Frequency	System / Name	Band	Frequency	System / Name
VHF	87.5 - 108 MHz	FM radio	UHF	1575.42 MHz	GPS
UHF	380 - 440 MHz	TETRA	UHF	1.71 - 1.88 GHz	PCN / GSM 1800, DCS 1800, LTE band 3, 10
UHF	698 - 790 MHz	LTE 700: bands 12, 13, 17, 28, 44, 68, 71....	UHF	1.85 - 1.99 GHz	PCS, DCS 1900 / GSM 1900, LTE band 2, 25
UHF	790 - 824 MHz	LTE 800: bands 20, 27.....	UHF	1.92 - 2.17 GHz	UMTS, LTE bands 1, 4, 10, ....
UHF	824 - 894 MHz	AMPS, LTE bands 5, 6	UHF	2.4 - 2.485 GHz	W-LAN IEEE 802.11b
UHF	810 - 958 MHz	DoCoMo	UHF	2.3 - 2.7 GHz	Wi-MAX, LTE band 7, 23, 38, 40, ....
UHF	868 - 870 MHz	ISM	SHF	3.3 - 3.8 GHz	Wi-MAX, TDD 3.5/3.6, LTE band 22
UHF	902 - 928 MHz	ISM	SHF	5.15 - 5.35 GHz	W-LAN IEEE 802.11a (UNI1, UNI2)
UHF	880 - 960 MHz	GSM 900, LTE band 8	SHF	5.47 - 5.875 GHz	W-LAN IEEE 802.11a (UNI3)
UHF	890 - 960 MHz	NMT 900, Natel C	SHF	5.855-5.925 GHz	V2X, W-LAN IEEE 802.11p



## Table A

Installation	Type																									
		Page	Model	TETRA-350	TETRA	CDMA	ISM/SIGFOX/LoRa	70cm HAM	LTE-450	LTE-700	ISM/SIGFOX/LoRa	ISM/SIGFOX/LoRa	GSM-R	GSM-900	GSM-1800	DECT	UMTS	2G-GSM/GPRS/EDGE	3G-UMTS	4G-LTE	WiFi-2.4 GHz, ZIG BEE	LTE 3.4	WiFi-5 GHz	V2X		
BASE INSTALLATION	OMNIDIRECTIONAL	5, 6	SPO UHF series																							
		7	SO 4G																							
		8	HGO 433-868																							
		8	HGO 4G LTE																							
		9	GP 868 C																							
		9	GP 900 C																							
		9	GP 901 C																							
		9	CX 840																							
		9	CX 868																							
		9	CX 900																							
		10	SO 868-915																							
		10	SCO-868-4																							
		10	SCO-868-6																							
		10	SPO 868-915-6																							
		11, 12	SCO-1.93-6																							
	11, 12	SCO-2-6																								
	11, 12	SCO-2.4-6																								
	11, 12	SCO-2.4-9																								
	11, 12	SCO-3.3-7																								
	11, 12	SCO-3.3-10																								
	11, 12	SCO-5.47-10																								
	11, 12	SCO-2451																								
	13	SO-918-2																								
	13	SO-918-2 M1																								
	14	SCM-918-2																								
	MOBILE INSTAL.	DIRECTIONAL	15, 16	WY UHF series																						
			17	SLP 4G-LTE																						
			18	SMP-X W-Lan MiMo																						
			19, 20	SMP 5G																						
			19, 20	SMP 4G LTE																						
19, 20			SMP 4G High Power																							
19, 20			SMP 4G LTE MiMo																							
19, 20			SMP 24-33																							
21			SLP-1.7÷2.5-11																							
22			SPH-1.5÷6-17																							
23		SY 906																								
23		SY 910																								
24		SDC-2.4-15																								
HOLE		25	LPA 5G MiMo W-Lan																							
		26	LPA 380, LPA 420																							
	27	SKA 900 1/4																								
	27	SKA 901 C																								
	27	SKA 900 1/4 MAG																								
	27	SKA 901 C MAG																								
	27	MICROMAG 918																								
	28	INGLASS Multiband																								
	28	INGLASS Lte & Wlan																								
	29	accessories																								
30	connectors, adapters																									

# SPO series

## Sirio Professional Omnidirectional 350-510 MHz

### WIDE-BAND Fiberglass dipole and colinear



Easy and robust installation on vertical mast



**"FT-5" standard fixing brackets:**  
 Spare parts: **p/n 2519613.00**  
 Materials: extruded aluminum  
 Hardware: stainless steel  
 Mast: Ø35-54mm, Ø1.4-2.1 in  
 Dimensions : 80x76x25mm, 3.1x3x1 in  
 Weight: 220 gr, 0.5 lb



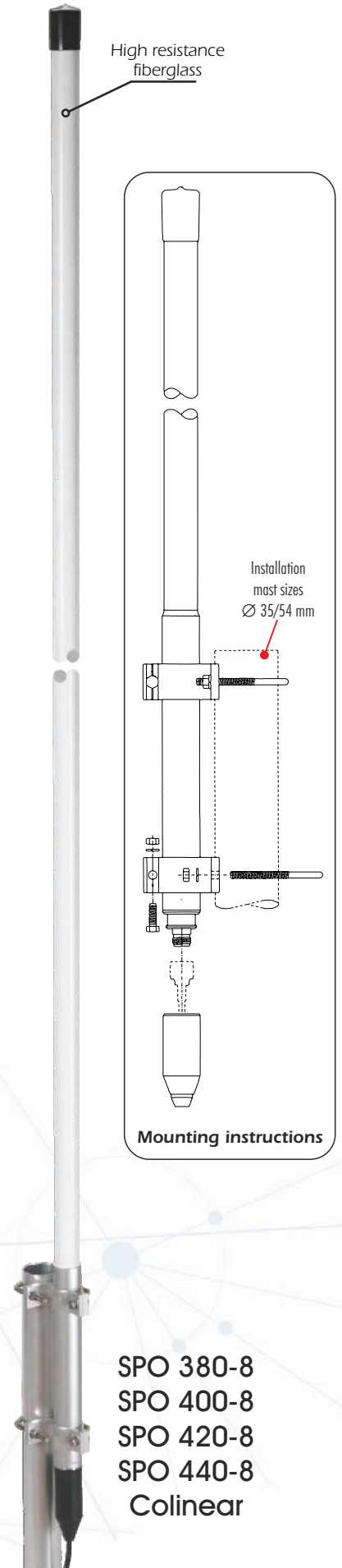
Horizontal mast

**"FT-6" optional bracket: (antenna height 2m / 6.5ft MAX)**  
**P/N 2519913.00**  
 Materials: extruded aluminum  
 Hardware: stainless steel  
 Mast: Ø35-52mm, Ø1.4-2.0 in  
 Dimensions : 80x76x65mm, 3.1x3x2.3 in  
 Weight: 460 gr, 1 lb




SPO 380-2  
Dipole

SPO 350-5  
SPO 380-5  
SPO 420-5  
SPO 450-5  
Colinear



SPO 380-8  
SPO 400-8  
SPO 420-8  
SPO 440-8  
Colinear

# SPO series

## Sirio Professional Omni 350-510 MHz

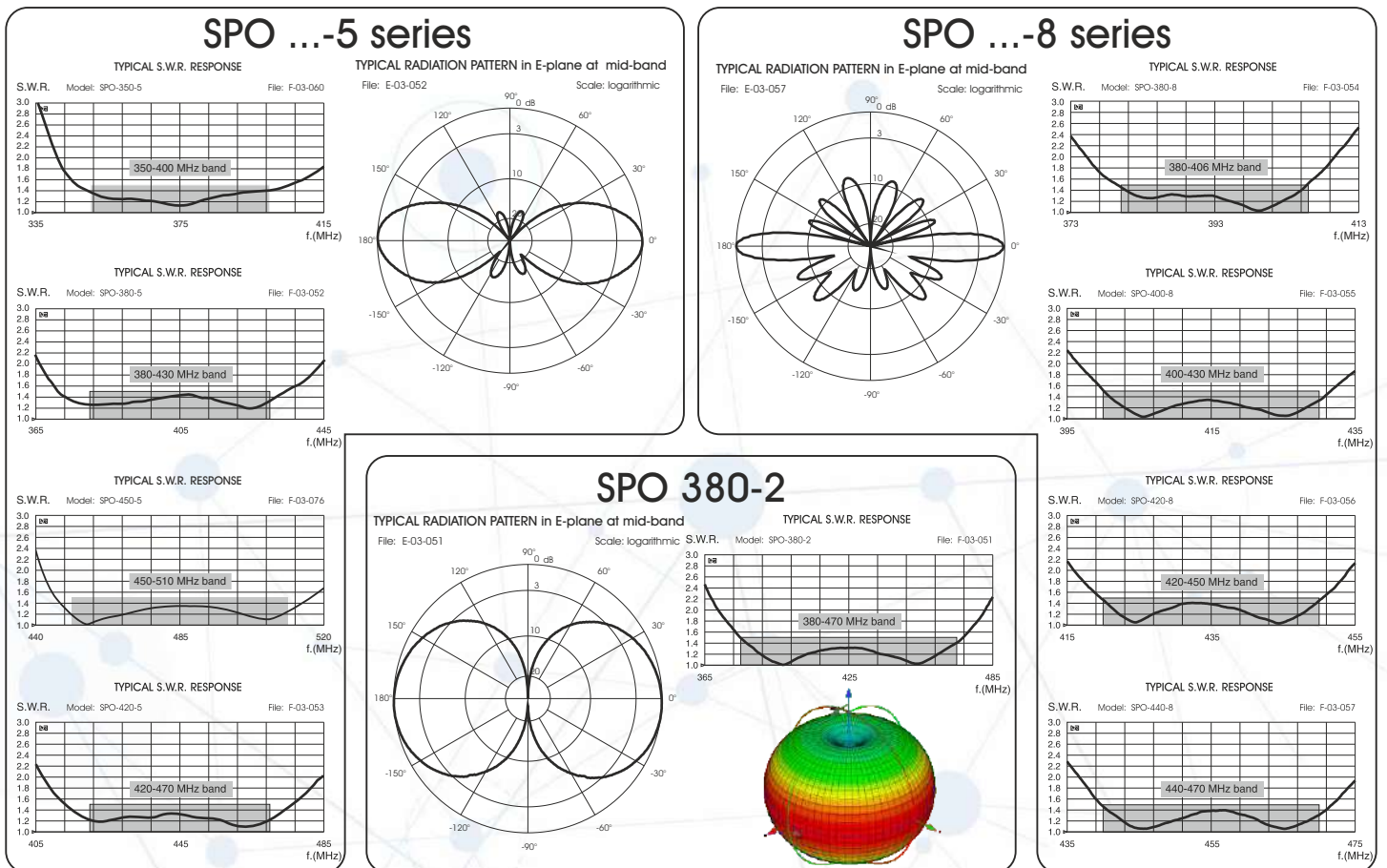
**Features:**

- # Fiberglass wide-band omnidirectional base station antenna. No tuning required
- # SPO 380-2: Unity-gain; SPO 350/380/420/450-5: Medium-gain; SPO 380/400/420/440-8: High-gain
- # Perfect protection against the worst weather conditions; Protection from static discharges DC-Ground
- # Designed to work without Ground Plane; Stainless steel hardware

Electrical Data	SPO 380-2	SPO 350-5	SPO 380-5	SPO 420-5	SPO 450-5	SPO 380-8	SPO 400-8	SPO 420-8	SPO 440-8
Type	Dipole	Colinear							
Freq. Range @ SWR≤1.5	380-470 MHz	350-400 MHz	380-430 MHz	420-470 MHz	450-510 MHz	380-406 MHz	400-430 MHz	420-450 MHz	440-470 MHz
Impedance	50 Ω								
Radiation (H-plane)	360° Omnidirectional								
Radiation (E-plane) @ -3dB	78°	40°	40°	40°	40°	14°	14°	14°	14°
Polarization	Linear Vertical								
Gain	0 dBd - 2.15 dBi	3 dBd - 5.15 dBi	3 dBd - 5.15 dBi	3 dBd - 5.15 dBi	3 dBd - 5.15 dBi	6 dBd - 8.15 dBi	6 dBd - 8.15 dBi	6 dBd - 8.15 dBi	6 dBd - 8.15 dBi
Max Power (CW) @ 30° C	75 Watts								
Grounding Protection	All metal parts are DC-grounded, the inner conductor shows a DC short								
Connector	N-female with rubber protection cap								

**Mechanical Data**

Materials	White cylindrical fiberglass radome Ø 28.6 mm, anodized 6063-T5 aluminium, brass, stainless steel, copper, EPDM rubber								
Wind Load @ 150 km/h	33 N	53 N	52 N	49 N	41 N	104 N	104 N	98 N	93 N
Wind Resistance	200Km/h, 124mi/h	180Km/h, 112mi/h	180Km/h, 112mi/h	200Km/h, 124mi/h	200Km/h, 124mi/h	150Km/h, 93mi/h	150Km/h, 93mi/h	150Km/h, 93mi/h	150Km/h, 93mi/h
Wind Surface	0.027m <sup>2</sup> , 0.29ft <sup>2</sup>	0.044m <sup>2</sup> , 0.47ft <sup>2</sup>	0.043m <sup>2</sup> , 0.46ft <sup>2</sup>	0.04m <sup>2</sup> , 0.43ft <sup>2</sup>	0.034m <sup>2</sup> , 0.36ft <sup>2</sup>	0.089m <sup>2</sup> , 0.95ft <sup>2</sup>	0.089m <sup>2</sup> , 0.95ft <sup>2</sup>	0.083m <sup>2</sup> , 0.88ft <sup>2</sup>	0.079m <sup>2</sup> , 0.84ft <sup>2</sup>
Height (approx.)	780 mm, 2.55 ft	1380 mm, 4.5 ft	1330 mm, 4.3 ft	1230 mm, 4.0 ft	1070 mm, 3.5 ft	2940 mm, 9.6 ft	2940 mm, 9.6 ft	2740 mm, 9 ft	2590 mm, 6 ft
Weight (approx.)	890 gr, 2 lb	1240 gr, 2.73 lb	1200 gr, 2.6 lb	1160 gr, 2.5 lb	1090 gr, 2.4 lb	2040 gr, 4.5 lb	2020 gr, 4.5 lb	1935 gr, 4.3 lb	1850 gr, 4.1 lb
Operating temperature	-40° C to +80° C								
Ingress Protection	IP 23								
Mounting Mast	Side vertical mast whit "V" bolt Ø 35 - 54 mm, Ø 1.4 - 2.1 in								
P/N	2115020/380	2115120/350	2115120/380	2115120/420	2115120/450	2115320/380	2115320/400	2115320/420	2115320/440

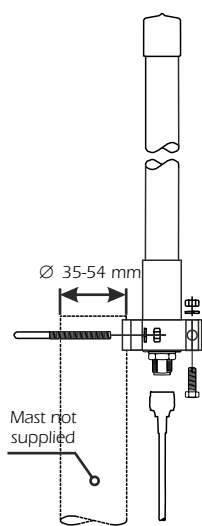


## SO 4G LTE

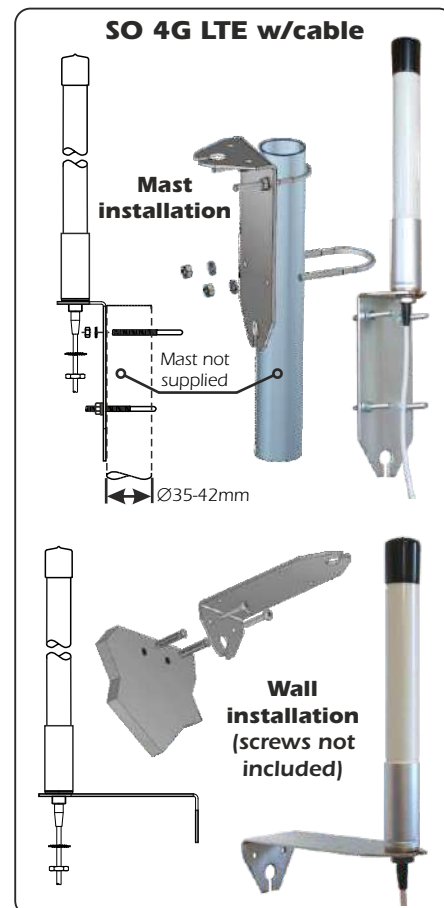
### Sirio Omnidirectional 4G LTE bands

#### Features:

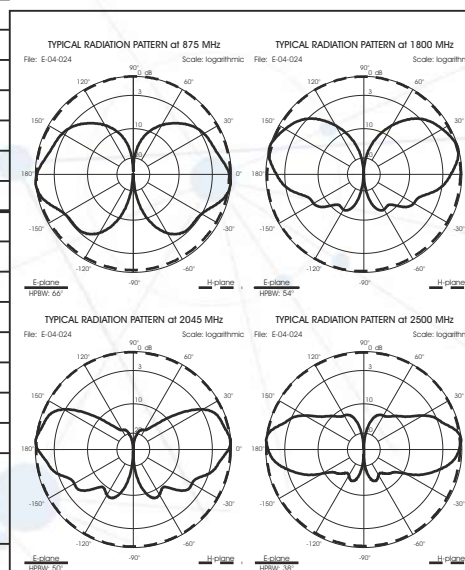
- # Base station antenna, **REAL OMNIDIRECTIONAL PATTERN**
- # For LTE 800, ISM 868 & 915, AMPS, GSM dual, UMTS, WLAN, LTE systems
- # High quality Brass radiator protected by fiberglass tube
- # **UPGRADED: Power rating increased**



**SO 4G LTE (N-fem)**



Electrical Data	SO 4G LTE (N-fem)	SO 4G LTE (N-male)	SO 4G LTE cable
Type	Colinear Dipole Array		
Frequency Range @ SWR $\leq 2.2$	790 - 960 MHz (LTE, ISM, GSM 900) & 1.71 - 2.7 GHz (GSM 1.8, PCN, DECT, UMTS, WLAN, LTE)		
Impedance	50 $\Omega$		
Radiation (H-plane)	360° omnidirectional		
Radiation (E-plane)	Beamwidth @ -3 dB: see diagrams		
Radiation angle deg.	see diagrams		
Polarization	Linear Vertical		
Gain	2 dBi @ 790-960 MHz; 4 dBi @ 1.71-2.7 GHz		
Max Power (CW) @ 30° C	50 Watts (Up-graded)		
Cable Type / Length	/	/	Low Loss cable / 5m, 16.4 ft
Connector	N-female, gold plated pin	N-male, gold plated pin	SMA-male, other on request
Mechanical Data			
Housing & Radome Material	Fiberglass, Anodized aluminium, Chromed Brass		
Bracket & Hardware Material	Aluminium, Stainless steel	/	Galvanized steel
Wind Load / Resistance	14 N @ 150 Km/h, 93 mi/h / 200 Km/h, 124 mi/h		
Wind Surface	0.011 m <sup>2</sup> ; 0.12 ft <sup>2</sup>		
Height (approx.)	300 mm, 1 ft		
Weight (without bracket, approx.)	230 gr, 0.5 lb	230 gr, 0.5 lb	495 gr, 1.1 lb
Operating Temperature	-30 °C to +70 °C		
Ingress Protection	IP 66		
Installation type	Mast: V-bolt $\varnothing 35-54$ mm, $\varnothing 1.4-2.1$ in	Direct router installation	"M3" bracket: Mast: U-bolt $\varnothing 35-42$ mm, $\varnothing 1.4-1.65$ in Wall: by screws (not included)
P/N	2111520.00	<b>NEW</b> 2111520.00/NM	2111520.80





## HGO 4G LTE

## HGO 433-868

### compact High Gain Omnidirectional

#### Features:

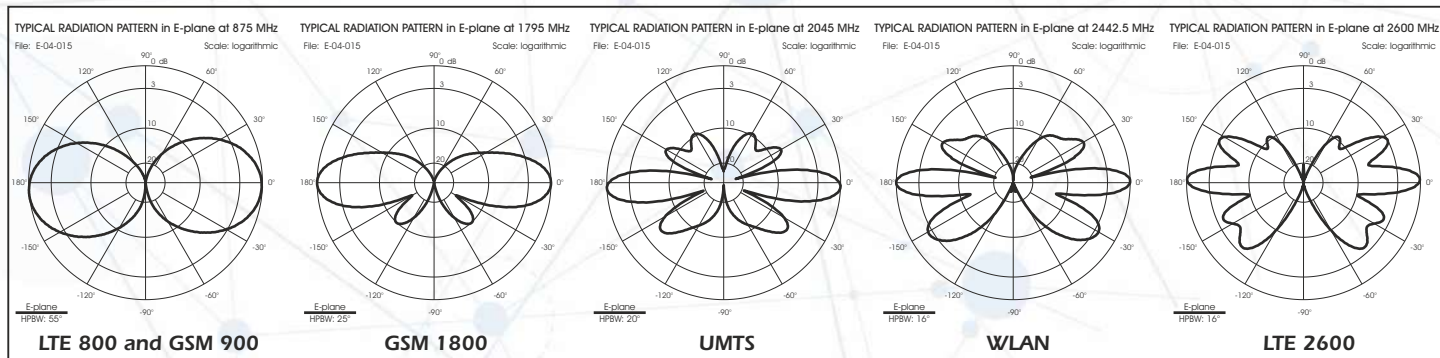
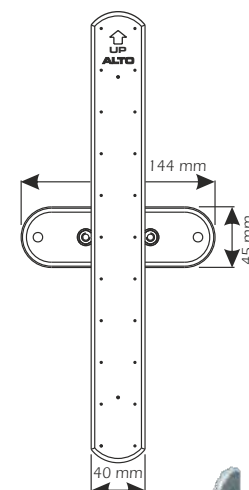
- # Flat Design and very compact base station antenna
- # Omnidirectional, Multi-band, High-gain, no tuning required
- # High quality PCB radiator protected by UV stabilized thermoplastic cover
- # HGO 433-868: For ISM 433 & 868
- HGO 4G LTE: For GSM 900 & 1800, PCS, DECT, UMTS and W-LAN 2.4 systems, LTE

## MULTI-BAND Omnidirectional



Electrical Data	HGO 4G LTE Improved	HGO 433-868
Type	Multi Band Dipole Array	
Frequency Range @ SWR ≤ 2	790-960 MHz (GSM 900, LTE 800) & 1.71-2.17GHz (GSM 1.8,PCN,DECT,UMTS) & 2.4-2.7 GHz (W-LAN 2.4, LTE 2.6)	415-465 MHz (ISM 433 MHz) & 815-890 MHz (ISM 868 MHz)
Impedance	50 Ω	
Radiation (H-plane)	360° omnidirectional	
Radiation (E-plane)	Beamwidth @ -3 dB: see diagrams	
Radiation angle deg.	0°	
Polarization	Linear Vertical	
Gain	5 dBi @ 790-960 MHz & 1.7-1.9 GHz, 6 dBi @ 1.9 - 2.17 GHz 5-6 dBi @ 2.4-2.6 GHz	2 dBi @ 433 MHz, 4 dBi @ 868 MHz
Max Power (CW) @ 30° C	20 Watts @ 790 - 960 MHz 10 Watts @ 1.9 - 2.17 GHz 6 Watt @ 2.4 - 2.6 GHz	20 Watts
Cable Type/Length/Connector	White Low Loss / 50cm, 1.6 ft or 5m, 16.4 ft / SMA-male, other type on request	

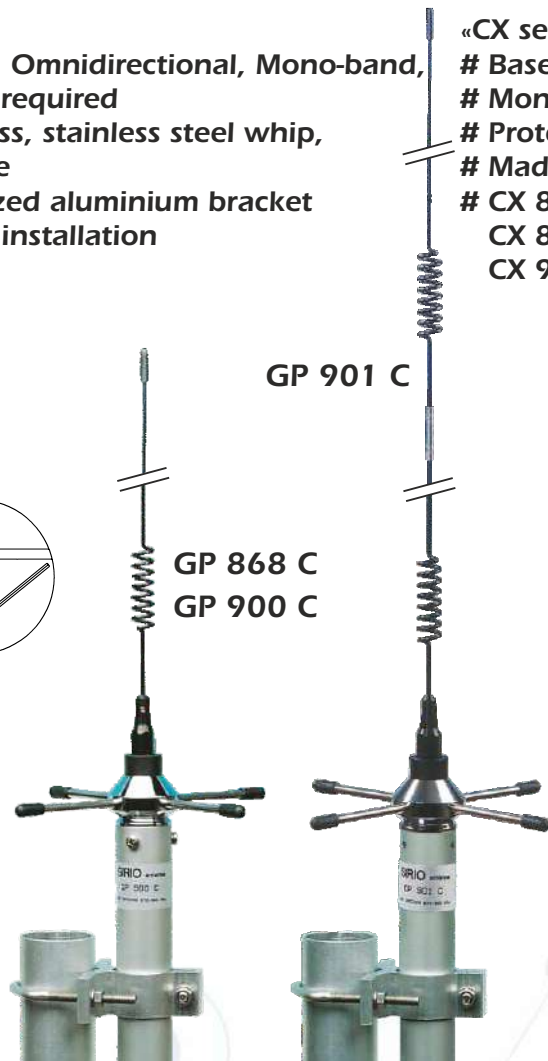
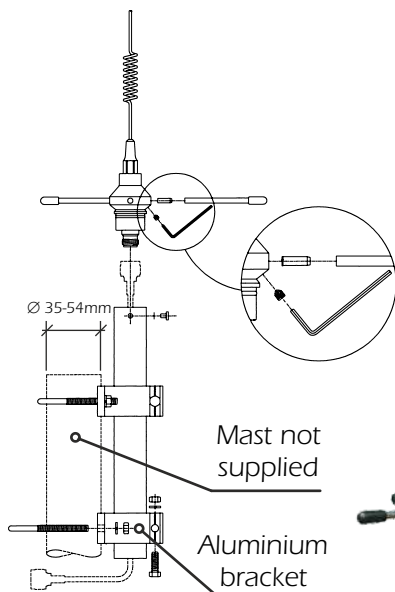
Mechanical Data		
Housing & Radome Material	RAL 7035 Light Grey thermoplastic UV stabilized	
Bracket & Hardware Material	Galvanized Steel	
Wind Load / Resistance	36 N @ 150 Km/h / 200 Km/h, 124 mi/h	
Wind Surface	0.02 m <sup>2</sup> , 0.21 ft <sup>2</sup>	
Dimensions (approx.)	335 x 166 x 144 mm, 13.2 x 6.5 x 5.7 in with bracket	
Weight (approx.)	350 gr, 0.77 lb	
Operating Temperature	-20 °C to +80 °C	
Ingress Protection	IP 54	
Installation type	Mast: Ø25-42mm, Ø1-1.65in with U-bolt. Wall: with mounting screws (not included)	
P/N 50cm, 1.6 ft cable	2153904/05CO	2154104/05CO
P/N 5m, 16.4 ft cable	2153904/5CO	2154104/5CO



## GP series Ground Plane Base Station

### «GP series» Features:

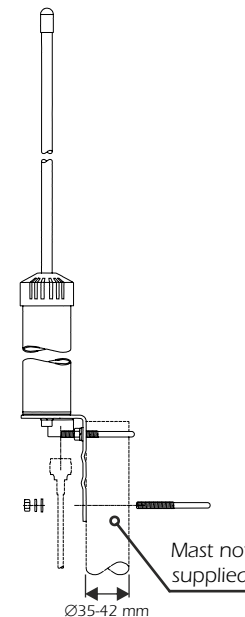
- # Base station antenna, Omnidirectional, Mono-band,
- # High-gain, no tuning required
- # Made of chromed brass, stainless steel whip, radials and hardware
- # Equipped with anodized aluminium bracket for an easy side mast installation
- # For ISM or GSM 900



## CX series Coaxial J-pole

### «CX series» Features:

- # Base station antenna, Omnidirectional
- # Mono-band, no tuning required
- # Protection from static discharges DC-ground
- # Made of aluminium alloy 6063 T-832
- # CX 840: for AMPS system
- # CX 868: for ISM system
- # CX 900: for GSM 900 system



Electrical Data	GP 868 C	GP 900 C	GP 901 C	CX 840	CX 868	CX 900
Type	1/4 λ + 1/2 λ. Colinear	1/4 λ + 1/2 λ. Colinear	1/4λ + 2x1/2λ. Colinear	3/4 λ. Coax J-pole	3/4 λ. Coax J-pole	3/4 λ. Coax J-pole
Frequency Range	835-900MHz @ SWR ≤ 2.0 (ISM)	870-960MHz @ SWR ≤ 2.6 (GSM 900)	870-960MHz @ SWR ≤ 2.8 (GSM 900)	824 - 894 MHz @ SWR ≤ 2.8 (AMPS)	845 - 885 MHz @ SWR ≤ 1.5 (868 ISM)	880 - 960 MHz @ SWR ≤ 2.6 (GSM 900)
Impedance	50 Ω					
Radiation (H-plane)	360° omnidirectional					
Radiation (E-plane) Beamwidth @ -3 dB	40° @ 868 MHz	40° @ 920 MHz	25° @ 920 MHz	70° @ 920 MHz	70° @ 920 MHz	70° @ 920 MHz
Radiation angle deg.	7°	7°	6°	10°	10°	10°
Polarization	Linear Vertical					
Gain	3 dBd, 5.14 dBi	3 dBd, 5.14 dBi	6 dBd, 8.14 dBi	0 dBd, 2.15 dBi	0 dBd, 2.15 dBi	0 dBd, 2.15 dBi
Max Power (CW) @ 30° C	50 Watts	50 Watts	50 Watts	100 Watts	100 Watts	100 Watts
Grounding Protection	/			All metal parts are DC-grounded, the inner conductor shows a DC-short		
Connector	N-female, gold plated central pin			N-female		

### Mechanical Data

Housing & Radome Material	Aluminium, Chromed Brass, Stainless Steel 17/7 PH			Aluminium, Zamac, Brass		
Bracket & Hardware Material	Aluminium, Stainless Steel			Galvanized Steel		
Wind Load @ 150Km/h / Resistance	13N/180Km/h, 112 mi/h	13N/180Km/h, 112mi/h	23N/150Km/h, 93 mi/h	17N/180Km/h, 112mi/h	17N/180Km/h, 112mi/h	17N/180Km/h, 112mi/h
Wind Surface	0.015 m <sup>2</sup> , 0.16 ft <sup>2</sup>	0.01 m <sup>2</sup> , 0.11 ft <sup>2</sup>	0.02 m <sup>2</sup> , 0.21 ft <sup>2</sup>	0.01 m <sup>2</sup> , 0.1 ft <sup>2</sup>	0.01 m <sup>2</sup> , 0.1 ft <sup>2</sup>	0.01 m <sup>2</sup> , 0.1 ft <sup>2</sup>
Height (approx.)	600 mm, 2 ft	550 mm, 1.8 ft	800 mm, 2.6 ft	390 mm, 1.28 ft	380 mm, 1.24 ft	370 mm, 1.2 ft
Radial length (approx.)	90 mm, 3.5 in	75 mm, 3 in	75 mm, 3in	/	/	/
Weight (approx.)	650 gr, 1.4 lb			470 gr, 1 lb		
Operating Temperature	-40 °C to +80 °C			-40 °C to +80 °C		
Installation type	Mast: Ø 35-54 mm, Ø 1.4-2.1 mm with V-bolt			Mast: Ø 35-42 mm, Ø 1.4-1.65 in		
P/N	2107006.00/868	2107006.00	2107606.00	2107401.00	2107501.00	2106601.00

## SO 868-915 *Sirio Omni*

## SCO-868-4 SCO-868-6 *Sirio Colinear Omni*

## SPO 868-915-6 *Sirio Professional Omni*

### Features:

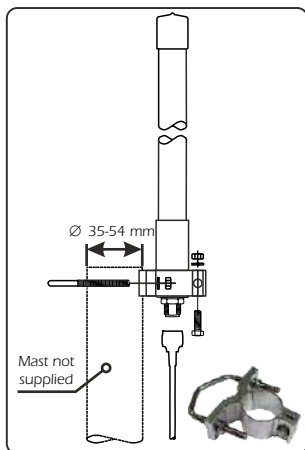
# Base station antenna, Omnidirectional, no tuning required

# High quality PCB radiator protected by fiberglass tube

# SO 868-915: for ISM 868 & 915 system

SCO-868-4 & SCO-868-6: for ISM 868

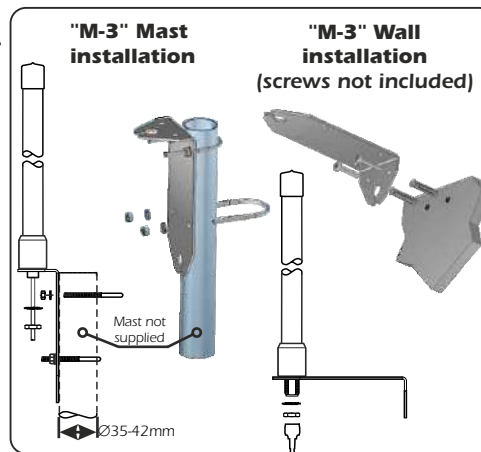
SPO 868-915/6: for ISM 868 & 915 system



SO 868-915 N-f



SCO-868-4/6



SPO 868-915-6

Electrical Data	SO 868-915 N-f	SO 868-915	SCO-868-4	SCO-868-4 N-f	SCO 868-6	SCO 868-6 N-f	SPO 868-915-6	SPO 868-915-6 N-f
Type	1/2 λ Dipole		2 x 1/2 λ Colinear		3 x 1/2 λ Colinear		3 x 1/2 λ Colinear	
Frequency Range @ SWR ≤ 1.5	868 - 915 MHz Dual Band		868 - 870 MHz		868 MHz		868 - 915 MHz Dual Band	
Impedance	50 Ω							
Detection DC resistance	10 KΩ *		/		on request		on request	
Radiation (H-plane)	360° omnidirectional							
Radiation (E-plane) Beam.@ -3dB	88°		32°		22°		23°	
Radiation angle deg.	0°							
Polarization	Linear Vertical							
Gain	0 dBd, 2.15 dBi		2.2 dBd, 4.3 dBi		4.1 dBd, 6.2 dBi		3.7 dBd, 5.8 dBi	
Max Power (CW) @ 30° C	20 Watts							
Cable Type / Length	/	Low Loss / 5m, 16.4ft	Low Loss / 5m, 16.4 ft	/	Low Loss / 5m, 16.4 ft	/	Low Loss / 5m, 16.4 ft	/
Connector	N-female	SMA-male*	SMA-male*	N-female	SMA-male*	N-female	SMA-male*	N-female

### Mechanical Data

Housing & Radome Material	Fiberglass, PCB, Chromed Brass							
Bracket & Hardware Material	Galvanized steel							
Wind Load @ 150 Km/h, 93 mi/h	34 N		35 N		41 N		36 N	
Wind Resistance	200 Km/h, 124 mi/h		140 Km/h, 87 mi/h		120 Km/h, 75 mi/h		140 Km/h, 87 mi/h	
Wind Surface	0.011 m <sup>2</sup> ; 0.12 ft <sup>2</sup>		0.0243 m <sup>2</sup> ; 0.25 ft <sup>2</sup>		0.03 m <sup>2</sup> ; 0.32 ft <sup>2</sup>		0.028 m <sup>2</sup> ; 0.3 ft <sup>2</sup>	
Height (approx.)	290 mm, 0.95 ft		500 mm, 1.65 ft		770 mm, 2.5 ft		840 mm, 2.75 ft	
Weight (without bracket, approx.)	235 gr, 0.52 lb	335 gr, 0.74 lb	380 gr, 0.84 lb	280 gr, 0.6 lb	490 gr, 1.1 lb	330 gr, 0.7 lb	950 gr, 2.1 lb	850 gr, 1.9 lb
Operating Temperature	-40 °C to +80 °C							
Ingress Protection	IP 66							
Installation type	Mast: Ø 35-52 mm, Ø1.4-2.0 in / U-bolt	"M-3" bracket: Mast: Ø 35-42 mm, Ø 1.4-1.65 inch with U-bolt Wall: by screws (not included)					Mast: Ø 35-52 mm, Ø 1.4-2.0 inch with U-bolt	
P/N	2111920.00	2111920/5SMA	2111620.80	2111620.00	2111720.80	2111720.00	2111820/5SMA	2111820.00

\*Other types on request

# SCO series

## Sirio Colinear Omnidirectional

**N-male connector:**

**SCO-2.4-6** W-LAN 2.4 **NEW**

**SCO-2451** W-LAN 2.4 & 5 GHz **NEW**

High resistance  
fiberglass



High resistance  
fiberglass



Aluminium  
bracket

**SCO-2.4-9** W-LAN 2.4

**SCO-3.3-10** LTE 3.4

**HIGH-GAIN**  
**Omnidirectional**

**N-female connector:**

**SCO-1.93-6** DECT

**SCO-2-6** UMTS

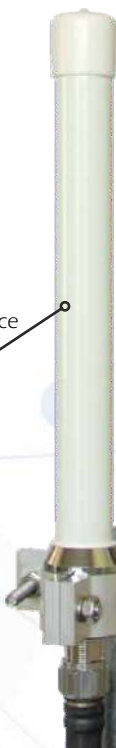
**SCO-2.4-6** W-LAN 2.4

**SCO-3.3-7** LTE 3.4

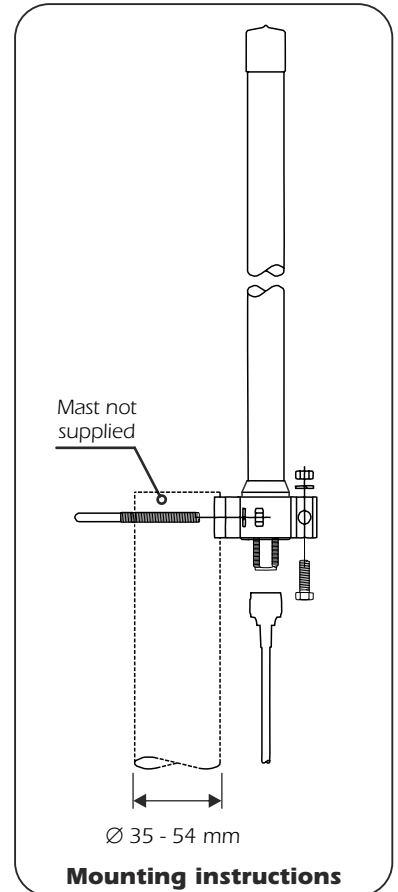
**SCO-5.47-10** W-LAN 5.47

**SCO-2451** W-LAN 2.4 & 5 GHz

High resistance  
fiberglass



Aluminium  
bracket



## SCO series

### Sirio Colinear Omnidirectional

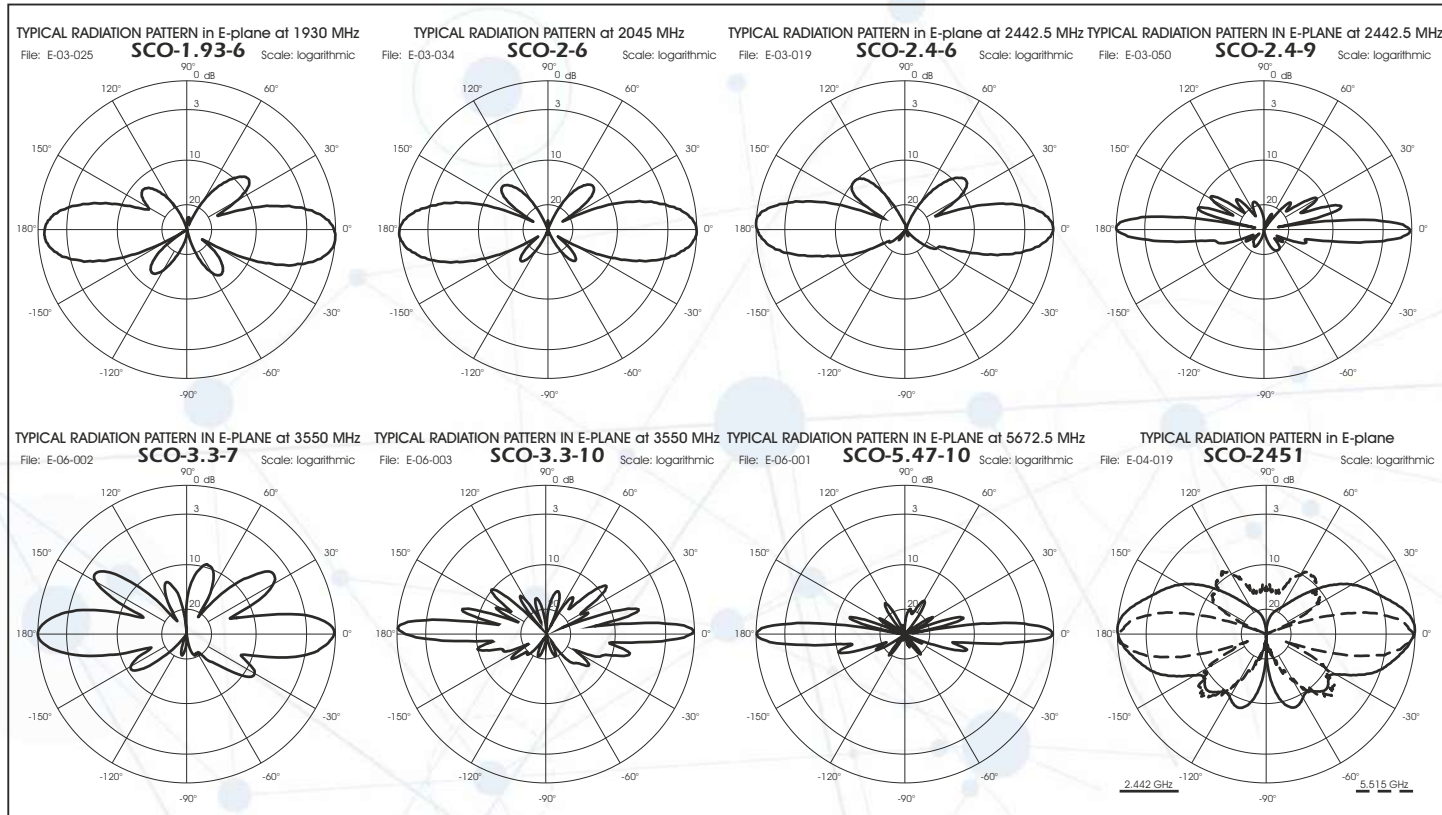
#### Features:

- # Base station antenna, Omnidirectional, Mono-band, High-gain, no tuning required
- # High quality PCB radiator protected by fiberglass tube
- # For DECT or UMTS or W-LAN 2.4 (IEEE 802.11b) or LTE 3.3 or W-LAN 5.15 (IEEE 802.11a)

Electrical Data	SCO-1.93-6	SCO-2-6	SCO-2.4-6	SCO-2.4-9	SCO-3.3-7	SCO-3.3-10	SCO-5.47-10	SCO-2451
Type: Dipole Array	3 x 1/2 λ	3 x 1/2 λ	3 x 1/2 λ	7 x 1/2 λ	3 x 1/2 λ	7 x 1/2 λ	7 x 1/2 λ	Colinear Array
Frequency Range	1.88-1.98 GHz @ SWR ≤ 1.5 (DECT)	1.92-2.17 GHz @ SWR ≤ 2.6 (UMTS)	2.3 - 2.5 GHz @ SWR ≤ 1.5 (W-LAN 2.4)	2.4-2.485 GHz @ SWR ≤ 1.5 (W-LAN 2.4)	3.3 - 3.8 GHz @ SWR ≤ 1.5 (LTE 3.4 GHz)	3.3 - 3.8 GHz @ SWR ≤ 1.5 (LTE 3.4 GHz)	5.47- 5.875 GHz @ SWR ≤ 1.5 (W-LAN)	2.4- 2.485 GHz & 5.15-5.875 GHz (W-LAN 2.4 - 5)
Impedance	50 Ω							
Radiation (H-plane)	360° omnidirectional							
Radiation (E-plane) Bw @-3dB	27° @ 1.93 GHz	27° @ 2.045 GHz	22° @ 2.442 GHz	10° @ 2.442 GHz	17° @ 3.55 GHz	10° @ 3.55 GHz	10° @ 5.672 GHz	30° & 20°
Radiation angle deg.	0°							
Polarization	Linear Vertical							
Gain	6 dBi	6 dBi	6 dBi	9 dBi	7 dBi	10 dBi	10 dBi	4 & 6 dBi
Max Power (CW) @ 30° C	20 Watts	20 Watts	20 Watts	20 Watts	10 Watts	10 Watts	20 Watts	10 Watts
Grounding Protection	All metal parts are DC-grounded, the inner conductor show a DC-short							Open circuit
Connector	N-female or N-male, gold plated central pin							

#### Mechanical Data

Housing & Radome Material	Fiberglass, Aluminium, Chromed Brass, PCB							
Bracket & Hardware Material	Models with N-female only: Aluminium, Stainless Steel							
Wind Load @ 150 Km/h	11 N	11 N	10 N	20 N	10 N	20 N	11 N	9 N
Wind Resistance	200Km/h, 124mi/h	200Km/h, 124mi/h	200Km/h, 124mi/h	200Km/h, 124mi/h	200Km/h, 124mi/h	200Km/h, 124mi/h	200Km/h, 124mi/h	200Km/h, 124mi/h
Wind Surface	0.01 m <sup>2</sup> , 0.11 ft <sup>2</sup>	0.01 m <sup>2</sup> , 0.11 ft <sup>2</sup>	0.01 m <sup>2</sup> , 0.11 ft <sup>2</sup>	0.02 m <sup>2</sup> , 0.21 ft <sup>2</sup>	0.01 m <sup>2</sup> , 0.11 ft <sup>2</sup>	0.02 m <sup>2</sup> , 0.21 ft <sup>2</sup>	0.01 m <sup>2</sup> , 0.11 ft <sup>2</sup>	0.007 m <sup>2</sup> , 0.08 ft <sup>2</sup>
Height (approx.)	400 mm, 1.3 ft	400 mm, 1.3 ft	325 mm, 1.07 ft	630 mm, 2.1 ft	325 mm, 1.07 ft	630 mm, 2.1 ft	400 mm, 1.3 ft	255 mm, 0.83 ft
Weight (approx.)	360 gr, 0.8 lb	360 gr, 0.8 lb	350 gr, 0.77 lb	415 gr, 0.9 lb	350 gr, 0.77 lb	410 gr, 0.9 lb	365 gr, 0.8 lb	330 gr, 0.72 lb
Operating Temperature	-40 °C to +80 °C							
Ingress Protection	IP 66							
Installation type	Models with N-female only: Mast: Ø 35-54 mm, Ø 1.4-2.1 in with V-bolt							
P/N N-female connector	2110620.00	2110520.00	2130220.00	2130320.00	2132520.00	2132620.00	2132020.00	2132120.00
P/N N-male connector	/	/	2130220.00/NM	/	/	/	/	2132120.00/NM

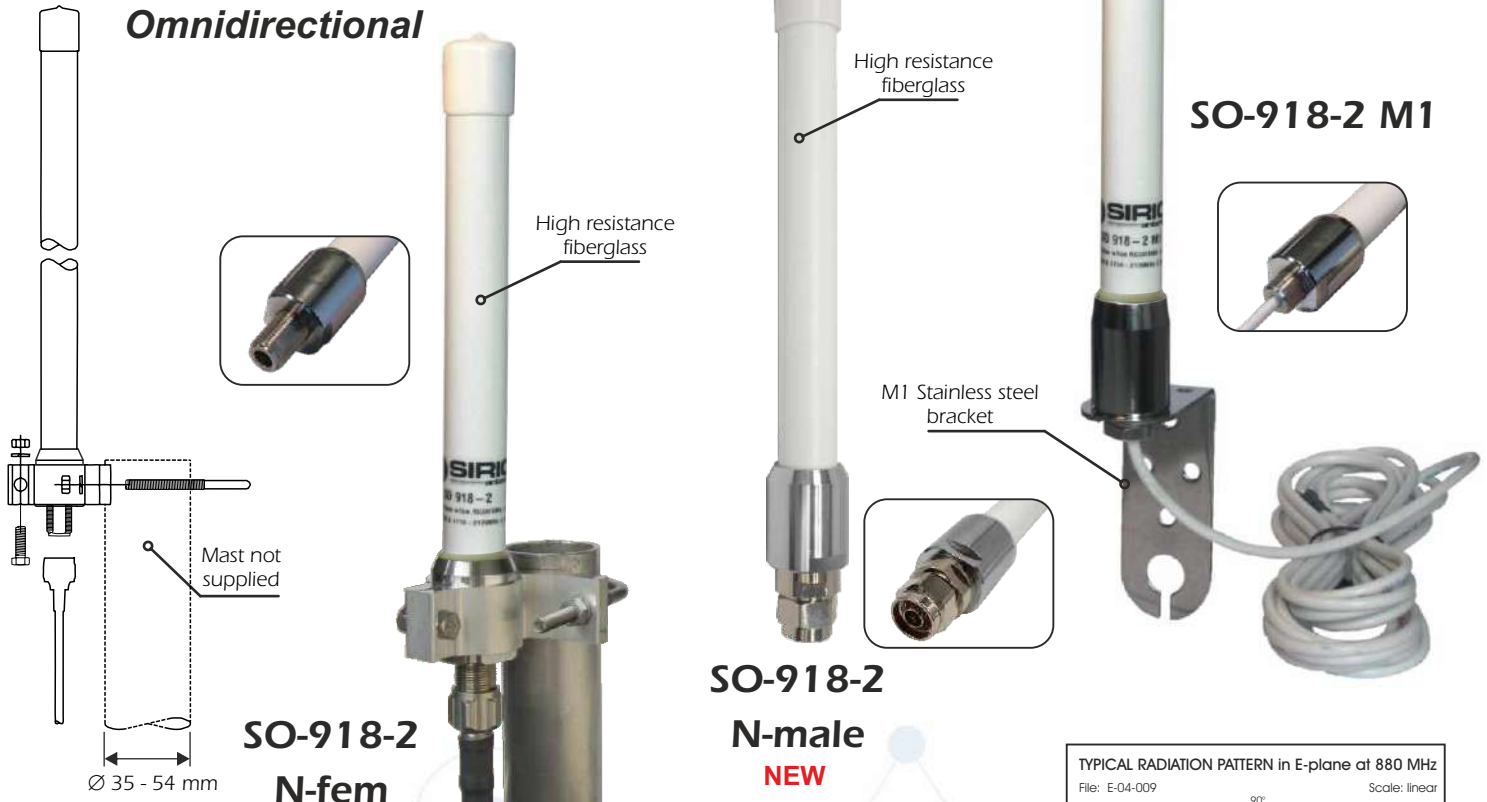


## SO-918-2, SO-918-2 M1 *Sirio Omnidirectional Antennas*

### Features:

- # Base station antenna, Omnidirectional, Multi-band, Unity-gain
- # High quality PCB radiator protected by fiberglass tube
- # Protection from static discharges DC-ground, no tuning required
- # For ISM, GSM 900 & 1800, PCS, DECT and UMTS systems

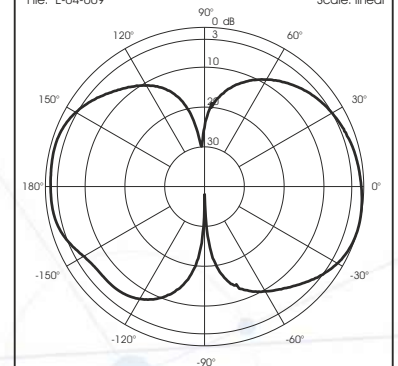
### MULTI-BAND Omnidirectional



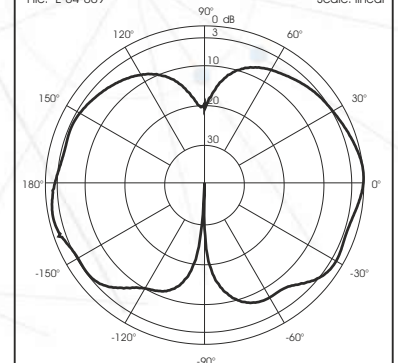
Electrical Data	SO-918-2 (N-fem)	SO-918-2 (N-male)	SO-918-2 M1
Type	1/2 λ Dipole		
Frequency Range @ SWR ≤ 2.0	868 - 960 MHz (ISM, GSM 900) & 1.71 - 2.17 GHz (GSM 1.8, PCN, DECT, UMTS)		
Impedance	50 Ω		
Radiation (H-plane)	360° omnidirectional		
Radiation (E-plane) Beamwidth @ -3 dB	50°		
Radiation angle deg.	0°		
Polarization	Linear Vertical		
Gain	2.15 dBi		
Max Power (CW) @ 30° C	20 Watts		
Grounding Protection	All metal parts are DC-grounded, the inner conductor shows an open circuit		
Cable Type / Length	/	/	White Low Loss / 5m, 16.4 ft
Connector	N-female, gold plated pin	N-male, gold plated pin	SMA-male, other on request

Mechanical Data	Fiberglass, Chromed Brass, PCB		
Housing & Radome Material	Fiberglass, Chromed Brass, PCB		
Bracket & Hardware Material	Aluminium, Stainless steel	/	Stainless steel M1 bracket
Wind Load @ 150Km/h / Resistance	11 N / 200 Km/h, 124 mi/h		
Wind Surface	0.01 m <sup>2</sup> , 0.11 ft <sup>2</sup>		
Height (approx.)	257 mm, 0.84 ft		
Weight (approx.)	350 gr, 0.77 lb		
Operating Temperature	-20 °C to +80 °C		
Ingress Protection	IP 66		
Installation type	Mast: Ø35-54mm, 1.4-2.1in with V-bolt	direct router installation	Wall: with mounting screws (not included)
P/N	2110320.00	<b>NEW</b> 2110320.00/NM	2110920.80

TYPICAL RADIATION PATTERN in E-plane at 880 MHz  
File: E-04-009 Scale: linear



TYPICAL RADIATION PATTERN in E-plane at 1710 MHz  
File: E-04-009 Scale: linear

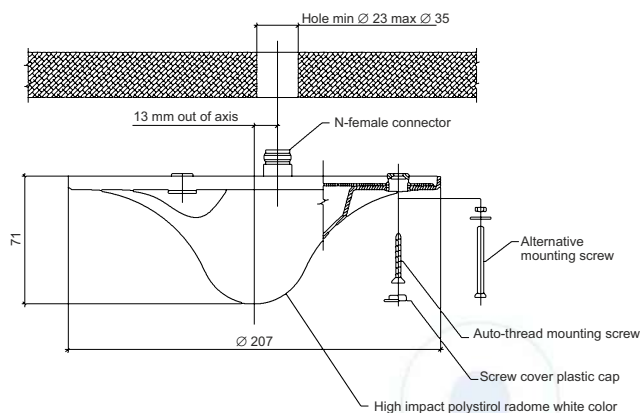


## SCM-918-2

### Sirio Ceiling Mount, Multi Band

#### Features:

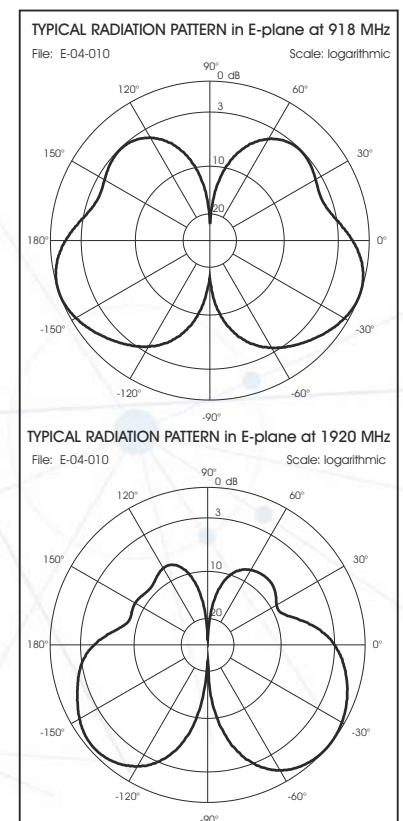
- # Indoor Base station antenna, Omnidirectional, Multi-band, Unity-gain, no tuning required
- # Paintable high impact polystyrol radome
- # Protection from static discharges DC-ground
- # For GSM 900 & 1800, PCS, DECT and UMTS systems



## MULTI-BAND

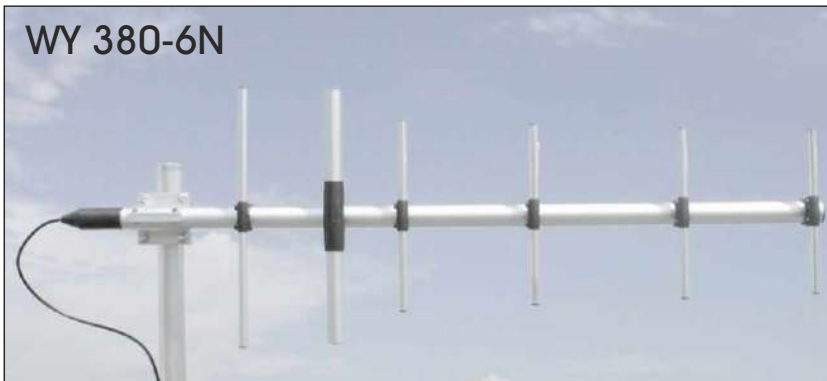
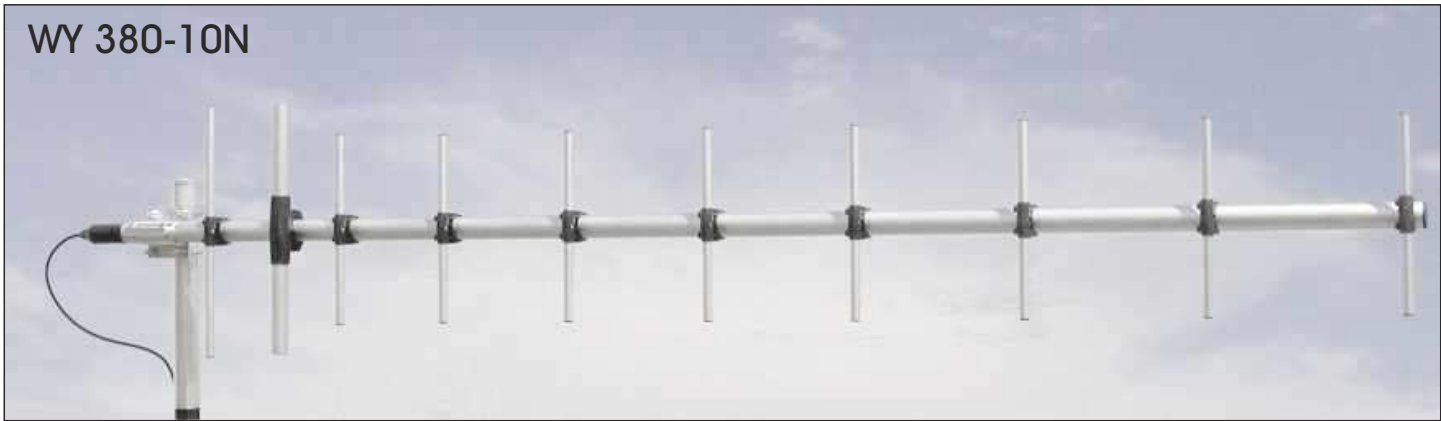
### Ceiling mount

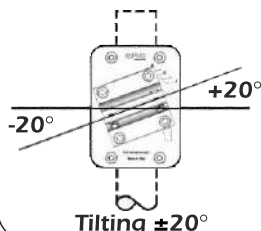
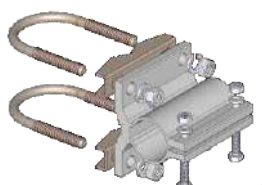
Electrical Data	SCM-918-2
Type	1/4 λ both bands
Frequency Range	876 - 960 MHz @ SWR ≤ 1.8 (GSM 900, ISM 868, ISM 915) & 1.71 - 2.17 GHz @ SWR ≤ 1.6 (GSM 1.8, PCN, DECT, UMTS)
Impedance	50 Ω
Radiation (H-plane)	360° omnidirectional
Radiation (E-plane) Beamwidth @ -3 dB	66° @ 918 MHz, 55° @ 1.8/1.92/2 GHz
Radiation angle deg.	-20° @ 918 MHz, -45° @ 1.8/1.92/2 GHz
Polarization	Linear Vertical
Gain	2.15 dBi
Max Power (CW) @ 30° C	50 Watts
Grounding Protection	All metal parts are DC-grounded, the inner conductor shows a DC-schort
Connector	N-female Panel, gold plated central pin
Mechanical Data	
Housing & Radome Material	Aluminium, Brass, High impact polystyrol White (paintable) Radome
Diameter (approx.)	207 mm, 8.2 in
Height (approx.)	71 mm, 2.8 in (without connector)
Weight (approx.)	340 gr, 0.75 lb
Operating Temperature	-40 °C to +80 °C
Installation type	On ceiling (screws enclosed)
P/N	2110703.00



# WY series

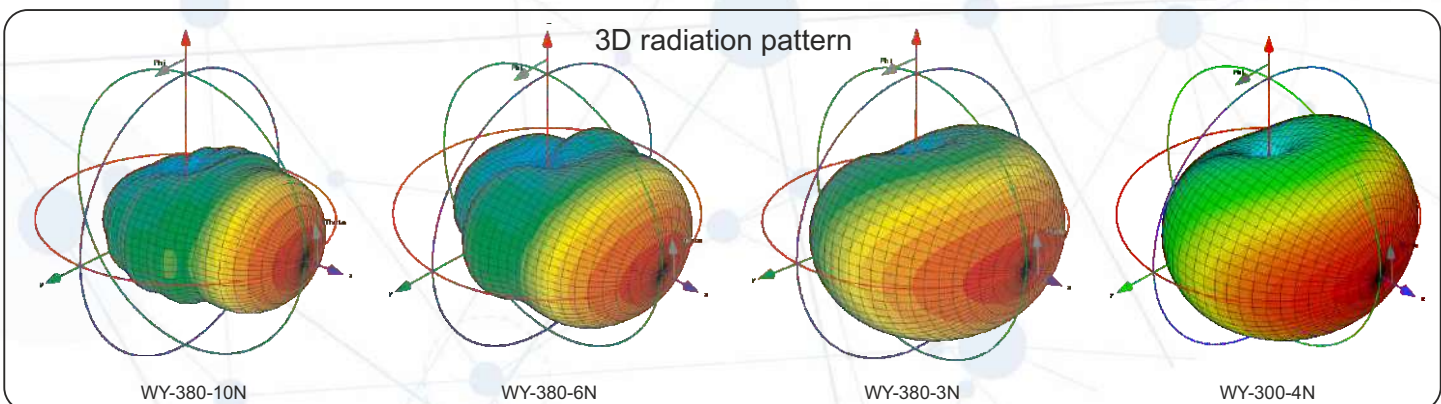
## Wide-band Yagi 300-500 MHz



<p><b>TB-2</b>  <b>Optional Tilting bracket</b>  <b>P/N 2519803.00</b>                  Materials &amp; Hardware: zinc plated steel                  Dimensions: 110 x 150 x 6 mm.                  Weight: 800 gr</p>  <p>Tilting <math>\pm 20^\circ</math></p>	<p><b>FT-6</b>  <b>Standard bracket</b>  <b>P/N 2519913.00</b>                  Materials: extruded aluminum                  Hardware: stainless steel                  Mast: <math>\varnothing 35-52\text{mm}</math>, <math>\varnothing 1.4-2.0</math> in                  Dimensions: <math>80 \times 76 \times 65\text{mm}</math>, <math>3.1 \times 3 \times 2.3</math> in                  Weight: 460 gr, 1 lb</p> 
---	--



**WIDE-BAND YAGI**  
 New feed system for  
 High simmetrical pattern  
 Completely computer  
 designed for the  
 best performances  
 Patent pending





## WY series Wide-band Yagi 300-500 MHz

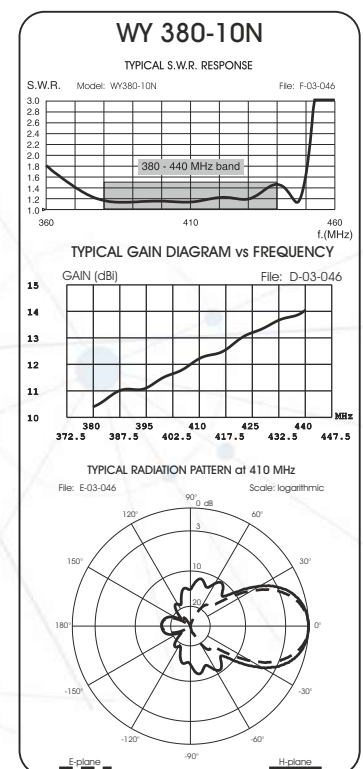
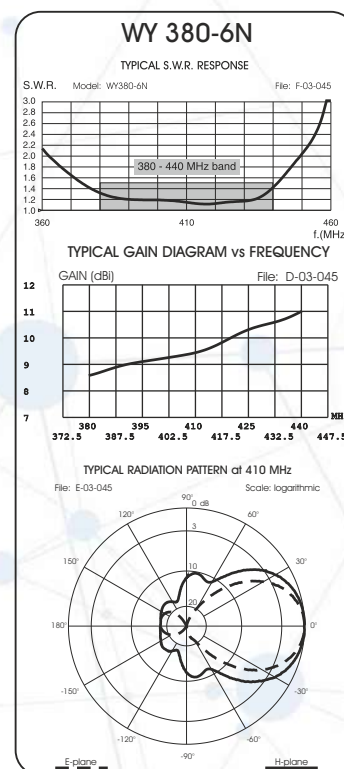
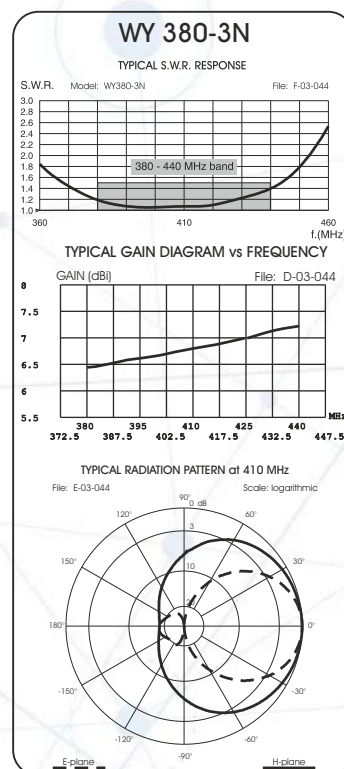
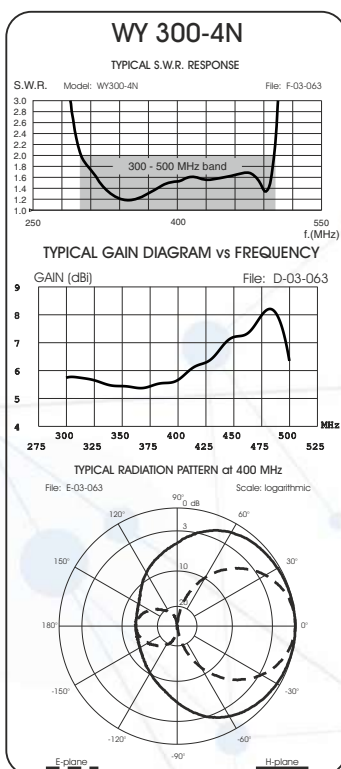
### Features:

- # Wide-band directional base station antenna. No tuning required
- # Exclusive feed system conceived for the highly symmetrical radiation pattern in both planes (E and H), patent pending applied
- # Completely computer designed to get the best performance of gain and front-to-back ratio in the band of interest
- # Made of anodized 6063-T5 aluminium, extruded aluminium bracket, rear mounting
- # N female connector protected by EPDM rubber cap for RG58 or RG213 cables
- # Stacked & bayed array for higher gain, Optional tilting bracket

Electrical Data	WY 300-4N	WY 380-3N	WY 380-6N	WY 380-10N
Type	4 elements Yagi	3 elements Yagi	6 elements Yagi	10 elements Yagi
Frequency Range	300-500 MHz @ SWR ≤ 2.0	380-440 MHz @ SWR ≤ 1.5	380-440 MHz @ SWR ≤ 1.5	380-440 MHz @ SWR ≤ 1.5
Impedance	50 Ω			
Radiation (H-plane) beamwidth @ -3 dB	150° @ 400 MHz	125°	70°	50°
Radiation (E-plane) beamwidth @ -3 dB	60° @ 400 MHz	65°	55°	45°
Front to back ratio	≥ 9 dB	≥ 17 dB	≥ 17 dB	≥ 18 dB
Polarization	Linear Vertical or Horizontal			
Gain	5.85 dBd - 8 dBi	4.85 dBd - 7 dBi	8.85 dBd - 11 dBi	11.85 dBd - 14 dBi
Max Power (CW) @30° C	150 Watts			
Grounding Protection	All metal parts are DC-grounded, the inner conductor shows a DC short			
Connector	N-female with rubber protection cap			

### Mechanical Data

Materials	Anodized 6063-T5 Aluminium, EPDM rubber, thermoplastic UV stabilized, Chromed Brass			
Wind Load @ 150 km/h	60 N	65 N	100 N	150 N
Wind Resistance	180 Km/h, 112 mi/h	180 Km/h, 112 mi/h	150 Km/h, 93 mi/h	120 Km/h, 75 mi/h
Wind Surface	0.048 m <sup>2</sup> , 0.51 ft <sup>2</sup>	0.048 m <sup>2</sup> , 0.51 ft <sup>2</sup>	0.078 m <sup>2</sup> , 0.83 ft <sup>2</sup>	0.121 m <sup>2</sup> , 1.3 ft <sup>2</sup>
Dimensions W x H (approx.)	600 x 480 mm, 2 x 1.57 ft	565 x 400 mm, 1.9 x 1.3 ft	1180 x 400 mm, 3.9 x 1.3 ft	2125 x 400 mm, 7.0 x 1.3 ft
Turning radius (approx.)	470 mm, 1.54 ft	460 mm, 1.5 ft	1050 mm, 3.5 ft	1990 mm, 6.5 ft
Weight (approx.)	1300 gr, 2.87 lb	1130 gr, 2.5 lb	1540 gr, 3.5 lb	2120 gr, 4.7 lb
Operating temperature	-40° C to +60° C			
Mounting Mast	∅ 35 - 52 mm, 1.4-2.0 in			
Boom / Dipole / Element Diameter	∅ 32 mm, 1.3 in / ∅ 24 mm, 0.95 in / ∅ 12 mm, 0.5 in			
P/N	2113801/300	2113501/380	2113601/380	2113701/380



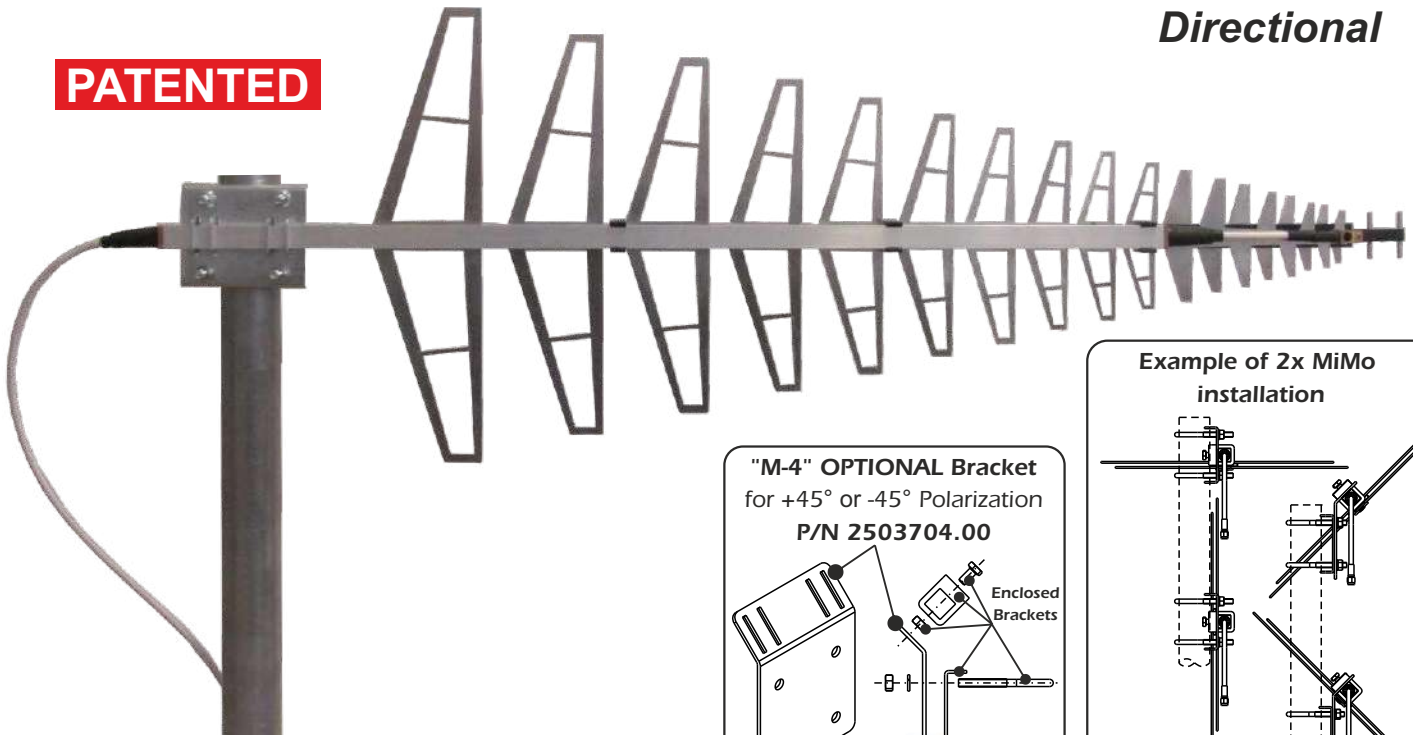
## SLP 4G-LTE *Sirio Log Periodic*

### Features:

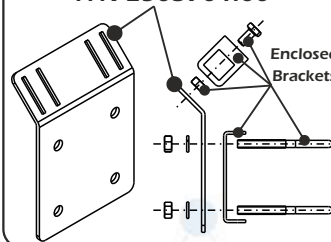
- # Base station antenna, Directional, Wide-band, High-gain, no tuning required
- # 4G LTE multi systems (2G-GSM, 3G-UMTS, 4G-LTE, LTE 700, ISM/LoRa, WiFi, W-Lan etc)
- # Made of Aluminium and High quality materials
- # Vertical or Horizontal polarization.
- # Optional bracket +45° polarization. Suitable for MiMo installation

## WIDE-BAND Directional

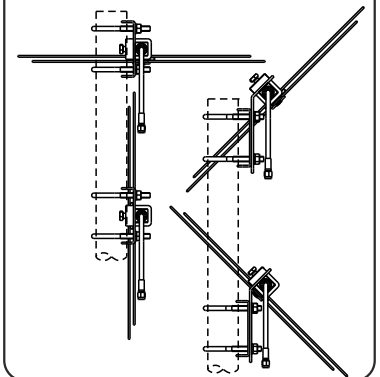
**PATENTED**



**"M-4" OPTIONAL Bracket**  
for +45° or -45° Polarization  
P/N 2503704.00



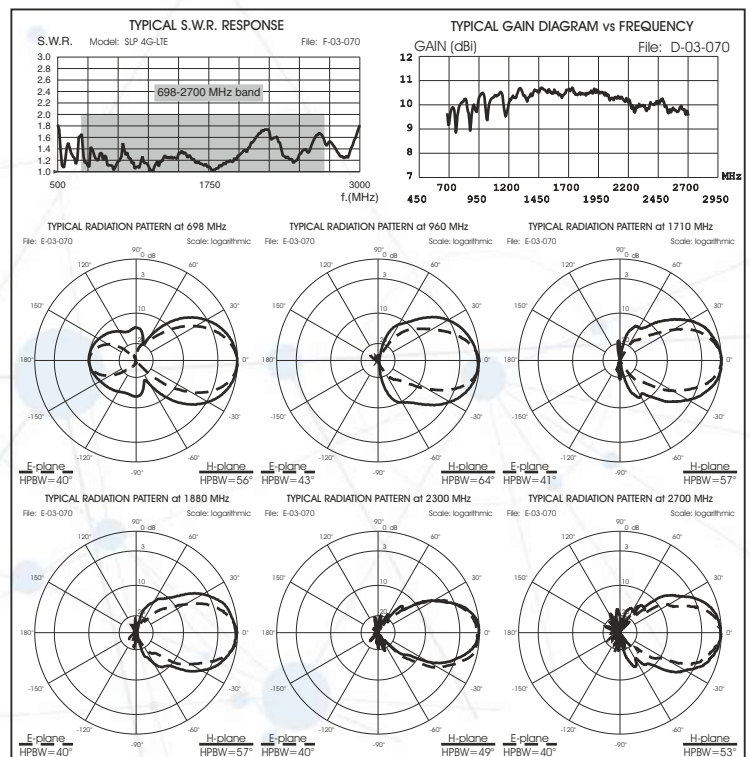
**Example of 2x MiMo installation**



Electrical Data	SLP 4G/LTE
Type	Log Periodic Directional
Frequency Range @ SWR ≤ 2	698 - 2700 MHz (2G-GSM/GPRS, 3G-UMTS, 4G-LTE, ISM/SIGFOX/LoRa, WiFi, W-Lan etc.)
Impedance	50 Ω
Radiation (H-plane) Beamwidth @ -3 dB	40° (approx. freq. dependent)
Radiation (E-plane) Beamwidth @ -3 dB	56° (approx. freq. dependent)
Radiation angle deg.	0°
Front to back ratio	698-880MHz: ≥10 dB; 880-2700MHz: ≥20 dB
Polarization	Linear Vertical or Horizontal
Gain	9 ÷ 11 dBi
Max Power (CW) @ 30° C	10 Watts
Grounding Protection	All metal parts are DC-grounded, the inner conductor shows a DC-short
Cable / Connector	50cm Low-Loss / SMA-male (other on request)

### Mechanical Data

Housing & Radome Material	Aluminium, Thermoplastic, Chromed Brass
Bracket & Hardware Material	Galvanized Steel
Wind Load / Resistance	92 N @ 130 Km/h / 130 Km/h, 81 mi/h
Wind Surface	0.07 m <sup>2</sup> , 0.75 ft <sup>2</sup>
Dimensions (approx.)	850 x 290 x 50 mm, 2.8 x 0.95 x 0.16 ft
Turning radius (approx.)	820 mm, 2.7 ft
Weight (approx.)	830 gr, 1.8 lb
Operating Temperature	-40 °C to +70 °C
Installation type	Mast: Ø 25-42 mm, Ø 1-1.65 in with U-bolt
P/N	2112001.00



**NEW**

## SMP-X W-Lan MiMo

### Sirio Mini Panel, Cross Polarized

**NEW**

**Features:**

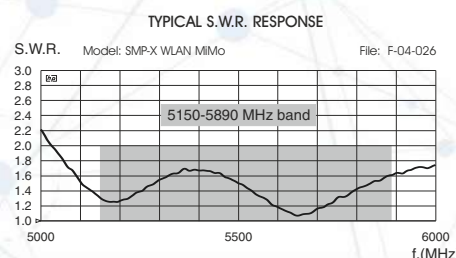
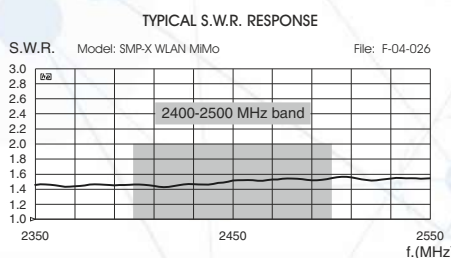
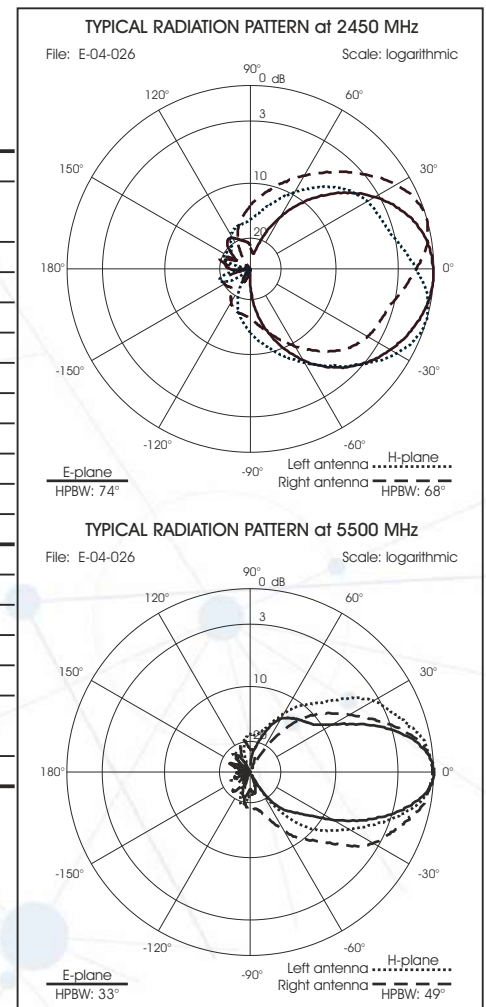
- # 2x dual band cross polarized antennas in single case;
- # Designed for MiMo 2x2 technology;
- # Very compact directional panel antenna;
- # Suitable for indoor and outdoor use.



## DUAL-BAND

### Cross Polarization

Electrical Data	SMP-X W-lan MiMo
Type	Mini Panel, 2x dual band antenna
Frequency Range	2400-2500 MHz @ SWR ≤ 2 & 5150-5890 GHz @ SWR ≤ 2
Impedance	50 Ω
Radiation (H-plane)	68° @ 2450 MHz, 49° @ 5500 MHz
Radiation (E-plane) Beamwidth @ -3 dB	74° @ 2450 MHz, 33° @ 5500 MHz
Radiation angle deg.	0°
Polarization	Dual: +45° and -45°
Gain	7 dBi @ 2400-2500 MHz, 11.4 dBi @ 5150-5890 MHz
Max Power (CW) @ 30° C	20 W @ 2400-2500 MHz, 8 W @ 5150-5890 MHz
Connector	SMA-m, gold plated central pin
Mechanical Data	
Housing & Radome Material	RAL 7035 Light Grey thermoplastic UV stabilized, galvanized steel
Dimension (approx.)	154 x 134 x 46 mm (without bracket)
Weight (approx.)	420 gr, 0.93 lb
Operating Temperature	-40 °C to +80 °C
Ingress Protection	IP 54
Installation type	Mast: Ø25-42 mm with U-bolt (included) Wall: mounting screws (not included)
P/N	<b>2112803.00</b>



# SMP series

## High gain, Sirio Mini Panel

**SMP Features:**

- # Compact base station antenna, High-gain
- # Indoor-Outdoor, Directional, Multi-band
- # High quality PCB radiator protected by UV stabilized radome
- # SMP 4G LTE: For LTE 800, GSM 900&1800,DCS, UMTS, LTE & W-LAN 2.4 systems
- SMP 5G: LTE 698 MHz & 3.3-3.8 GHz over 4G
- SMP 24-33: W-LAN 2.4 & LTE 2.3 & 3.4
- # SMP 4G LTE 50W: New version high power up to 50 W, w/ PTFE cable

**SMP MiMo Features:**

- # Compact base station antenna, High-gain
- # Indoor-Outdoor, Directional, Multi-band
- # 2x Wide band elements in single case conceived for MiMo systems
- # High quality PCB radiator protected by UV stabilized radome
- # SMP 4G LTE MiMo: For LTE 800, GSM 900&1800, DCS, UMTS, LTE & W-LAN 2.4 systems



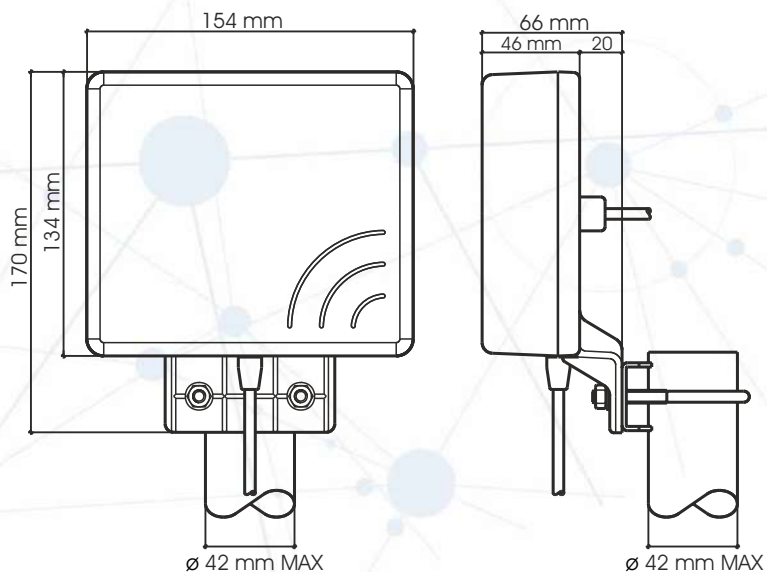
**PATENTED**

- SMP 5G **NEW**
- SMP 4G LTE
- SMP 4G LTE 50W **NEW**
- SMP 24-33



**SMP 4G LTE  
MIMO**

**TB-1 optional tilting bracket**  
 Mast: Ø35-50mm, Ø1.4-2 in with clamp included  
 Wall: with mounting screws (not included)  
**P/N 2519703.00**

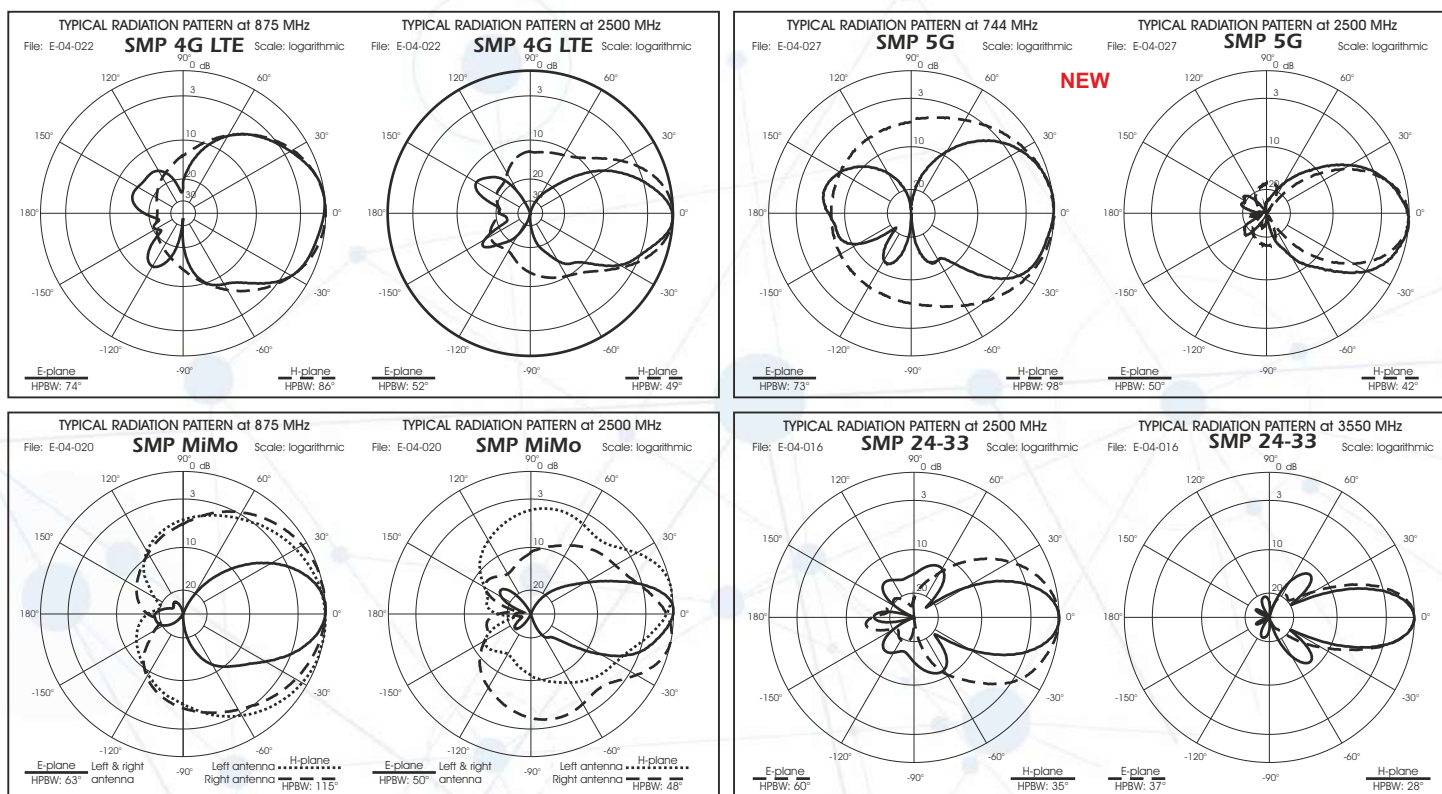



## SMP series High gain, Sirio Mini Panel

Electrical Data	SMP 4G LTE	<b>NEW</b> SMP 4G LTE 50W	SMP 4G LTE MiMo	SMP 24-33	<b>NEW</b> SMP 5G
Type	Mini Panel Antenna for Indoor or Outdoor use		Mini Panel-2 wideband elem.	Mini Panel Antenna	Mini Panel Antenna Wideband
Frequency Range @ SWR≤2	790 - 960 MHz (LTE 800, GSM 900) & 1.71 - 2.7 GHz (DCS, UMTS, LTE, WLAN)			2.3-2.7 GHz (W-LAN, LTE 2.3) & 3.3 - 3.8 GHz (LTE 3.4)	698-960 MHz & 1.71-2.7 GHz & 3.3 - 3.8 GHz
Impedance	50 Ω				
Radiation Beamwidth @ -3 dB	see Typical Radiation Pattern				
Front to back ratio	≥12 dB @ 790-960 MHz. ≥16 @ 1.71-1.88GHz ≥20 dB @ 1.92-2.17 GHz. ≥10 @ 2.3-2.7 GHz		≥ 10 dB @ 790-960 MHz ≥ 15 dB @ 1.71-2.7 GHz	≥ 15 dB @ 2.3-2.7 GHz ≥ 20 dB @ 3.3-3.8 GHz	≥ 4 dB @ 698-960 MHz ≥ 12 dB @ 1.71-3.8 GHz
Polarization	Linear vertical				
Gain	6+7 dBi @ 790-960 MHz 9 dBi @ 1.71-2.17 GHz 8+9 dBi @ 2.3-2.7 GHz	7 dBi @ 790-960 MHz 9 dBi @ 1.71-2.17 GHz 8+9 dBi @ 2.3-2.7 GHz	5 dBi @ 790-960 MHz; 8 dBi @ 1.71-2.7 GHz (each element)	10 dBi @ 2.3-2.7 GHz, 13 dBi @ 3.3-3.8 GHz	4 ÷ 6 dBi @ 698-960 MHz, 9 ÷ 10 dBi @ 1.71-2.17 GHz 11 ÷ 12 dBi @ 2.3-3.8 GHz
Correlation Coefficient	-				
Max Power (CW) @ 30° C	30 Watts @ 790-960 MHz 15 Watts @ 1.71-1.88 GHz 10Watts @ 1.92-2.7 GHz	50 Watts	20 Watts @ 790-960 MHz; 8 Watts @ 1.71-2.7 GHz (each element)	6 Watts	35 Watts @ 697-960 MHz 35 Watts @ 1.71-2.17 GHz 25 Watts @ 2.3-2.7 GHz 20 Watts @ 3.3-3.8 GHz
Grounding Protection	All metal parts are DC-grounded, the inner conductor shows a open circuit				
Cable Type	White Low Loss	RG 303 PTFE	2x White Low Loss	White Low Loss	White Low Loss
Cable Length	30cm, 1ft or on req.	1m, 3.3ft	30cm, 1ft or on req.	30cm, 1ft or on req.	30cm, 1ft or on req.
Connector	SMA-male, other on request	N-male	2x SMA-male, other on request	SMA-male, other on request	SMA-male, other on request

### Mechanical Data

Housing & Radome Material	RAL 7035 Light Grey thermoplastic UV stabilized				
Bracket & Hardware Material	Galvanized Steel				
Wind Load / Resistance	40 N @ 150 Km/h / 180 Km/h, 112 mi/h				
Wind Surface	0.02 m <sup>2</sup> , 0.21 ft <sup>2</sup>				
Dimensions (approx.)	154 x 134 x 46 mm, 6 x 5.3 x 1.8 mm without bracket				
Weight (approx.)	500 gr, 1.1 lb				
Operating Temperature	-40 °C to +80 °C				
Ingress Protection	IP 44	IP 44	IP 54	IP 44	IP 44
Installation type	Mast: Ø 25-42 mm, Ø 1-1.6 in with U-bolt.		Wall: with mounting screws (not included)		
P/N	2111003.00	<b>NEW</b> 2111003/PW	2111403.00	2111303.00	<b>NEW</b> 2112203.00



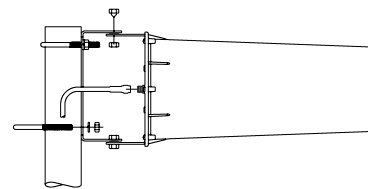
## SLP-1.7:2.5-11 *Sirio Log Periodic*

### Features:

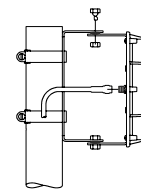
- # Base station antenna, Directional,
- # Wide-band, High-gain, no tuning required
- # for DCS 1.8, PCS 1.8, DECT, UMTS and W-LAN 2.4 systems



### WIDE-BAND Directional



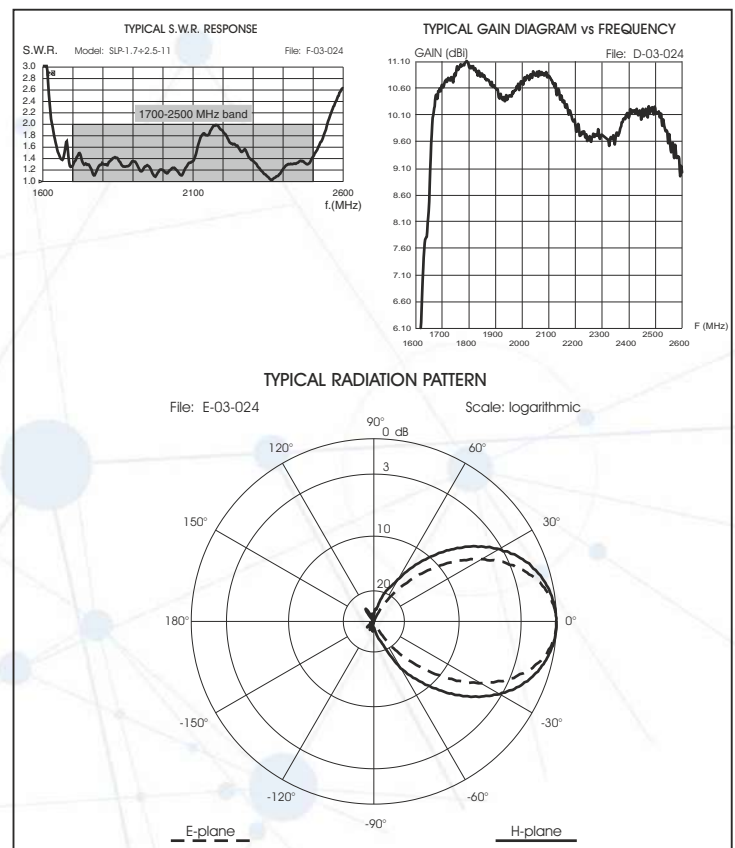
U-bolt (standard)



Clamp (optional)

Electrical Data	SLP-1.7:2.5-11
Type	Log Periodic Dipole array
Frequency Range	1.71 - 2.5 GHz @ SWR ≤ 2 (GSM 1.8, PCN, DECT, UMTS, W-LAN 2.4)
Impedance	50 Ω
Radiation (H-plane) Beamwidth @ -3 dB	58° frequency independent
Radiation (E-plane) Beamwidth @ -3 dB	46° frequency independent
Radiation angle deg.	0°
Front to back ratio	≥ 24 dB
Polarization	Linear Vertical
Gain	11.1 dBi
Max Power (CW) @ 30° C	50 Watts
Grounding Protection	All metal parts are DC-grounded, the inner conductor shows a DC-short
Connector	SMA-female panel

Mechanical Data	
Housing & Radome Material	Brass, Aluminium, White ABS UV stabilized
Bracket & Hardware Material	Galvanized Steel
Wind Load / Resistance	61 N @ 150 Km/h / 180 Km/h, 112 mi/h
Wind Surface	0.04 m <sup>2</sup> , 0.43 ft <sup>2</sup>
Dimensions (approx.)	345 x 135 x 73 mm, 13.6 x 5.3 x 2.9 in
Turning radius (approx.)	310 mm, 12.2 in
Weight (approx.)	400 gr, 088 lb
Operating Temperature	-40 °C to +80 °C
Installation type	Mast: Ø 35-42 mm, Ø 1.4-1.65 in with U-bolt; Clamp: Ø 25-70 mm, Ø 1-2.75 in (optional); Wall: with mounting screws (not included)
P/N	2130103.00



## SPH-1.5:6-17 *Sirio Planar Horn*

### Features:

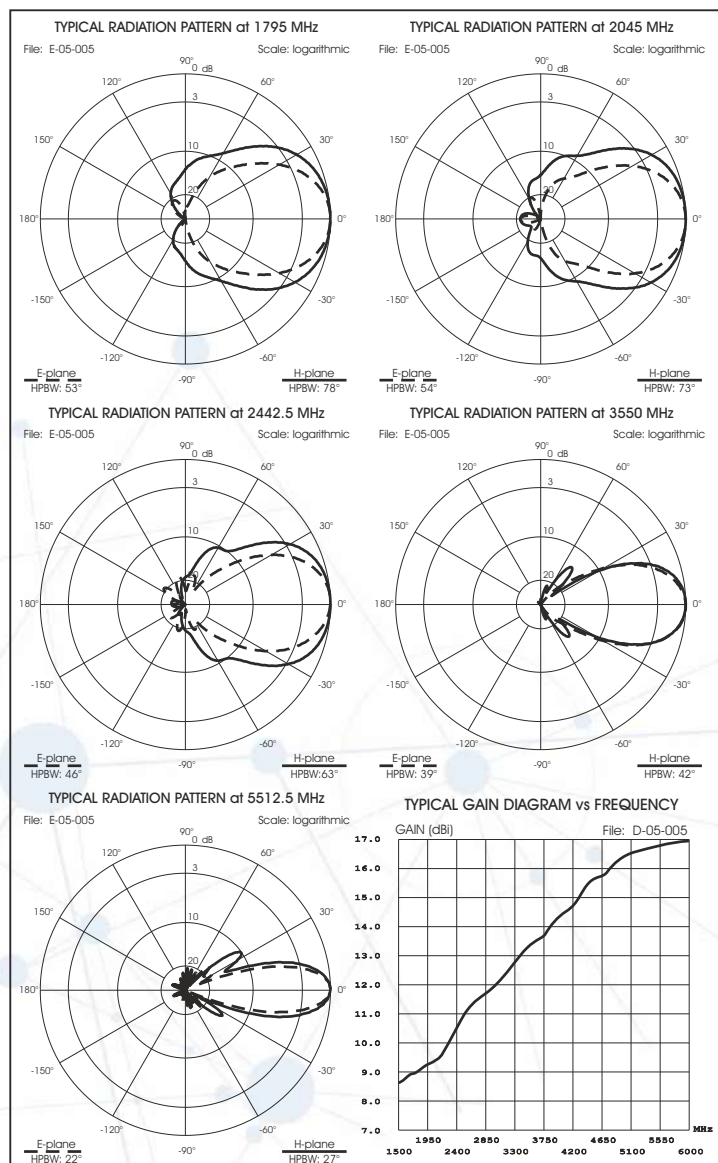
- # Base station antenna, Directional,
- # Wide-band, High-gain, no tuning required
- # for DCS 1.8, PCS 1.8, DECT, UMTS, W-LAN 2.4 & 5.47



**WIDE-BAND**  
**Directional**

Electrical Data	SPH-1.5:6-17
Type	Wide Band PCB antenna
Frequency Range	1.5-6 GHz @ SWR ≤ 1.8 (GSM 1.8, PCN, DECT, UMTS, W-LAN 2.4 & 5.47, WiMAX 2.3 & 3.3)
Impedance	50 Ω
Radiation (H-plane) Beamwidth @ -3 dB	see diagram
Radiation (E-plane) Beamwidth @ -3 dB	see diagram
Radiation angle deg.	0°
Front to back ratio	≥ 20 dB
Polarization	Linear Vertical
Gain	17 dBi @ 6 GHz
Max Power (CW) @ 30° C	15 Watts @ 1.5-4 GHz, 10 Watts @ 4-6 GHz
Grounding Protection	All metal parts are DC-grounded, the inner conductor show an open circuit
Connector	SMA-female panel

Mechanical Data	
Housing & Radome Material	PCB, Aluminium, White ABS UV stabilized
Bracket & Hardware Material	Galvanized Steel
Wind Load / Resistance	61 N @ 150 Km/h / 180 Km/h, 112 mi/h
Wind Surface	0.04 m <sup>2</sup> , 0.43 ft <sup>2</sup>
Dimensions (approx.)	345 x 135 x 73 mm, 13.6 x 5.3 x 2.9 in
Turning radius (approx.)	310 mm, 12.2 i
Weight (approx.)	450 gr, 1 lb
Operating Temperature	-40 °C to +80 °C
Installation type	Mast: Ø 35-42 mm, Ø 1.4-1.65 in with U-bolt; Clamp: Ø 25-70 mm, Ø 1-2.75 in (optional); Wall: with mounting screws (not included)
P/N	<b>2130003.00</b>

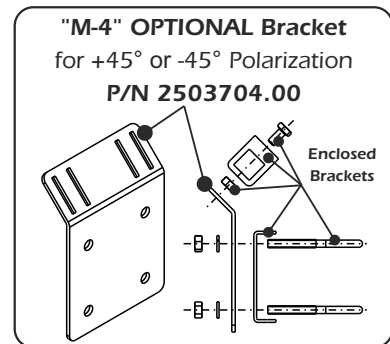
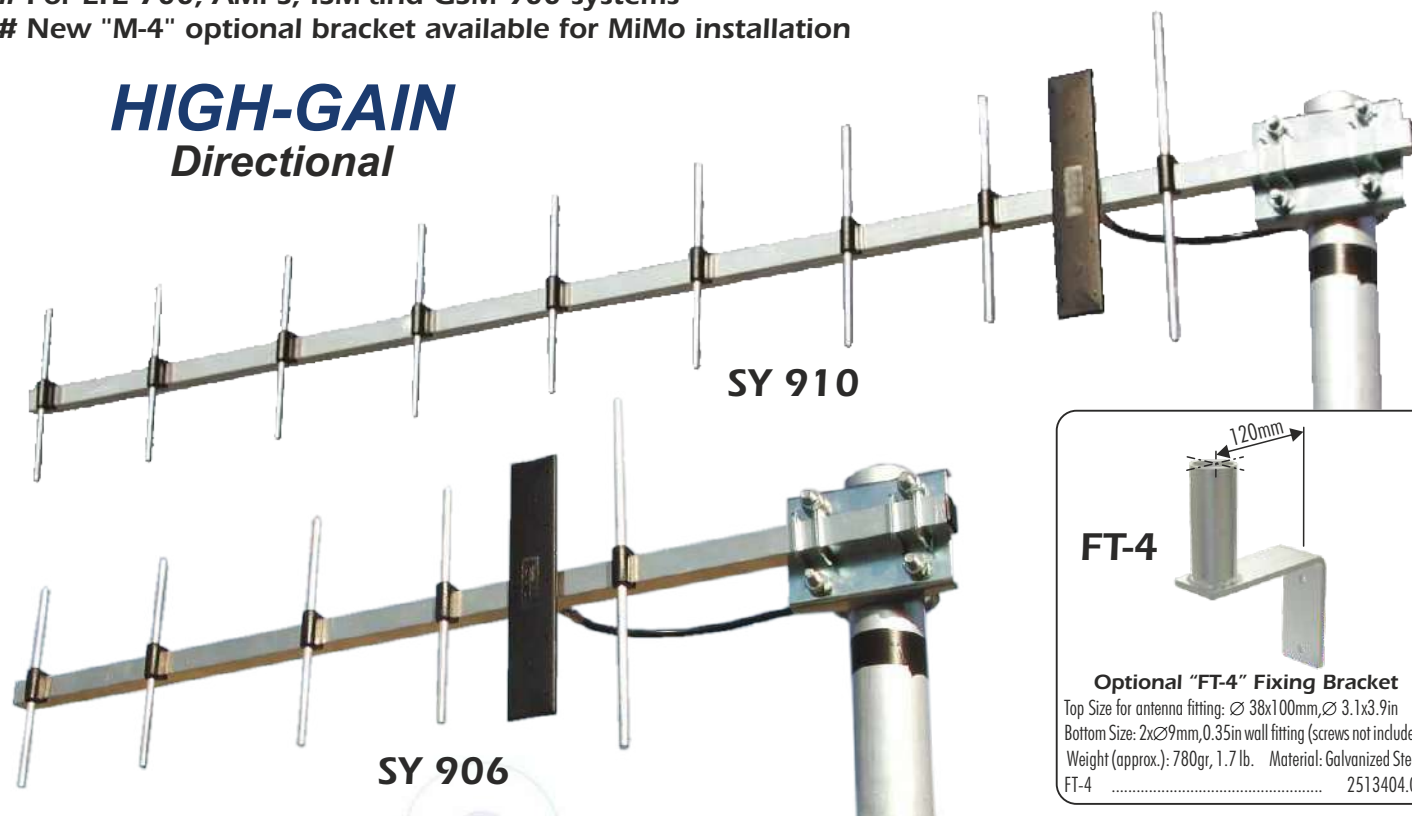


## SY 906, SY 910 *Sirio Yagi Antenna*

### Features:

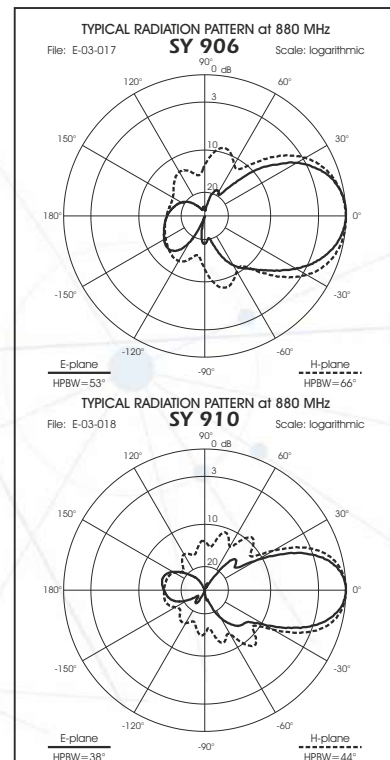
- # Base station antenna, Directional
- # Mono-band, High-gain, no tuning required
- # Protection from static discharges DC-ground
- # Made of anodized aluminium alloy
- # For LTE 700, AMPS, ISM and GSM 900 systems
- # New "M-4" optional bracket available for MiMo installation

## HIGH-GAIN Directional



Electrical Data	SY 906	SY 910
Type	6 elements yagi antenna	10 elements yagi antenna
Frequency Range @ SWR $\leq 1.4$	698 - 960 MHz (LTE 700, ISM, AMPS, GSM 900)	
Impedance	50 $\Omega$	
Radiation (H-plane) Beamwidth @ -3 dB	66° @ 880 MHz	44° @ 890 MHz
Radiation (E-plane) Beamwidth @ -3 dB	53° @ 880 MHz	38° @ 890 MHz
Radiation angle deg.	0°	
Front to back ratio	$\geq 12 \text{ dB @ } 698 - 880 \text{ MHz}$ ; $\geq 15 \text{ dB @ } 880 - 960 \text{ MHz}$	
Polarization	Linear Vertical	
Gain	11.5 dBi	15 dBi
Max Power (CW) @ 30° C	10 Watts	
Grounding Protection	All metal parts are DC-grounded, the inner conductor shows a DC-short	
Connector	FME-male	

Mechanical Data	Aluminium, PCB, Thermoplastic	
Housing & Radome Material	Aluminium, PCB, Thermoplastic	
Bracket & Hardware Material	Galvanized Steel	
Wind Load @ 150 Km/h / Resistance	27 N / 180 Km/h, 112 mi/h	48 N / 150 Km/h, 93 mi/h
Wind Surface	0.02 m <sup>2</sup> , 0.21 ft <sup>2</sup>	0.03 m <sup>2</sup> , 0.32 m <sup>2</sup>
Dimensions (approx.)	210 x 595 x 60 mm, 8.3 x 23.4 x 2.4 in	210 x 995 x 60 mm, 8.3 x 39.2 x 2.4 in
Turning radius (approx.)	580 mm, 22.8 in	960 mm, 37.8 in
Weight (approx.)	410 gr, 0.9 lb	500 gr, 1.1 lb
Operating Temperature	-20 °C to +80 °C	
Installation type	Mast: $\varnothing 25-42 \text{ mm}$ , 1-1.6 in with U-bolt	
P/N	2109901.00	2110001.00



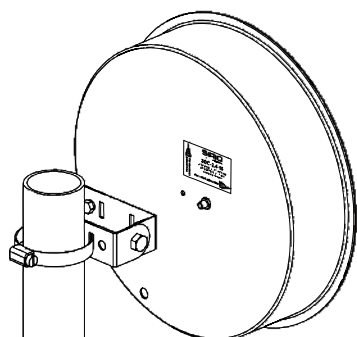


## SDC-2.4-15

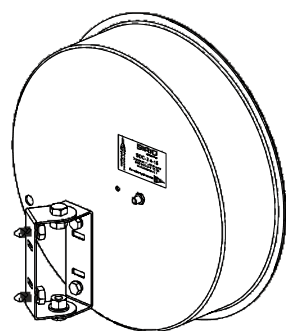
### Sirio Directional Cavity

#### Features:

- # Base station antenna, Directional
- # Mono-band, High-gain, no tuning required
- # Protection from static discharges DC-ground
- # High quality brass radiator protected by thermoplastic UV stabilized radome
- # For W-LAN 2.4 system



Mounting on the mast with clamp included

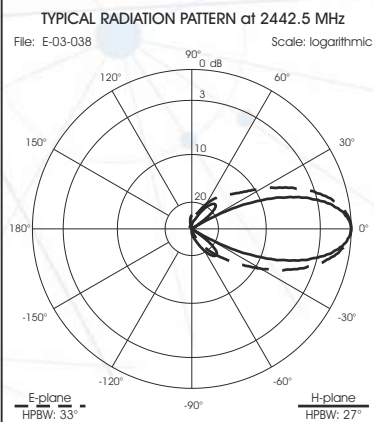
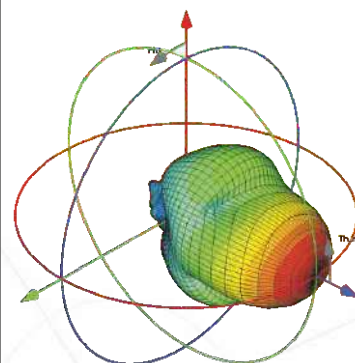
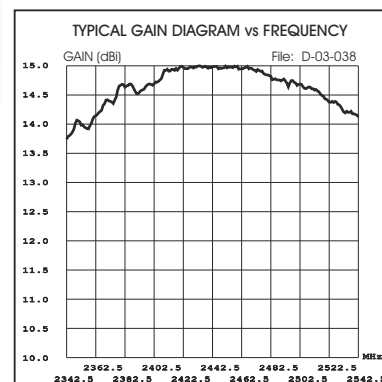


Mounting on the wall with screws (not included)



## HIGH-GAIN

### Directional



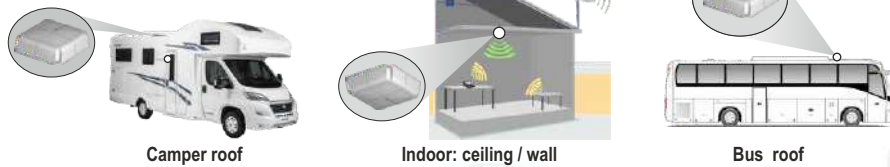
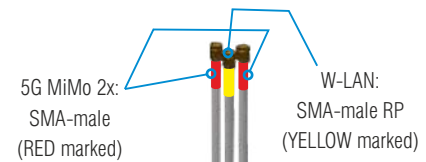
Electrical Data	SDC-2.4-15
Type	Cavity Backed
Frequency Range @ SWR ≤ 1.6	2.4 - 2.485 GHz (W-LAN 2.4)
Impedance	50 Ω
Radiation (H-plane) Beamwidth @ -3 dB	33° @ 2442.5 GHz
Radiation (E-plane) Beamwidth @ -3 dB	27° @ 2442.5 GHz
Radiation angle deg.	0°, tiltable using enclosed tilting system
Front to back ratio	≥ 25 dB
Polarization	Linear Vertical or Horizontal
Gain	15 dBi
Max Power (CW) @ 30° C	20 Watts
Grounding Protection	All metal parts are DC-grounded, the inner conductor shows a DC-short
Connector	SMA-female
Mechanical Data	
Housing & Radome Material	Case: aluminium grey RAL 9007, Radome: light grey RAL 7035 thermoplastic UV stabilized
Bracket & Hardware Material	Aluminium, Stainless steel
Wind Load @ 150Km/h / Resistance	104 N / 160 Km/h, 99 mi/h
Wind Surface	0.06 m <sup>2</sup> , 0.64 ft <sup>2</sup>
Dimensions (approx.)	∅ 275 x 80 mm, ∅ 10.8 x 3.1 in without bracket
Weight (approx.)	720 gr, 1.6 lb
Operating Temperature	-20 °C to +80 °C
Installation type	Mast: ∅ 35-50 mm, ∅ 1.4-2 in with clamp included. Wall: with mounting screws (not included)
P/N	2111203.00

## NEW LPA 5G MiMo W-LAN NEW

### Low Profile Antenna 698-960 MHz & 1.7-3.8 GHz

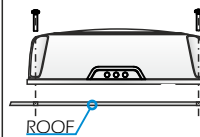
#### Features:

- # Low profile antenna designed to the use on vehicles and ceiling installation
- # 5G MiMo 2x multi systems (2G-GSM, 3G-UMTS, 4G-LTE, 5G, LTE 700, ISM/LoRa, etc)
- # W-LAN Dual Band (2.4-2.485 GHz & 5.15-6 GHz)
- # 5G MiMo 2x: Protection from static discharges DC-Ground
- # No Ground Plane Required
- # High Antenna Efficiency
- # Bottom OR Side Cable Outlet
- # Completely sealed and waterproof



#### MOUNTING ALTERNATIVES

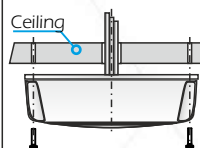
##### Side cable outlet



**EXCELLENT FOR:**

- Vehicle roof installation
- Ceiling where long cables are needed
- Everywhere needing long cables

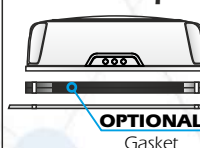
##### Central cable outlet



**EXCELLENT FOR:**

- Indoor installation
- Countertop cable routing
- Everywhere needing short cables or cable extensions.

##### Optional Gasket



**EXCELLENT FOR:**

- Uneven and curved rooftops
- Water-proof insulation
- Both side and bottom cable outlet

Electrical Data	Side cable outlet	Central cable outlet
Type	Wide Band MiMo	
Frequency Range @ SWR ≤ 2	MiMo 2x: 698-960 MHz & 1.71- 3.8 GHz (2G, 3G, 4G, 5G) W-LAN: 2.4-2.485 GHz & 5.15-6 GHz (W-Lan Dual band)	
Impedance	50 Ω	
Polarization	Linear Vertical	
Gain Max	5G MiMo 2x: 3 dBi @ 698-960 MHz; 7 dBi @ 1.71-3.8 GHz W-LAN: 3 dBi @ 2.4-2.485 GHz; 7 dBi @ 5.15-6 GHz	
Typical Efficiency	5G MiMo 2x: > 80 % @ 698-960 MHz; > 85 % @ 1.71-6 GHz; W-LAN: > 90 %	
Correlation Coefficient	5G MiMo 2x: < 0.05	
Isolation	5G MiMo 2x Connectors: > 12 dB W-LAN Connector: > 20 dB to 5G MiMo 2x Connectors	
Max Power (CW) @ 30° C	10 Watts	
Grounding Protection	5G MiMo 2x: all metal parts are DC-grounded, the inner conductor shows a DC-short W-LAN: the inner conductor shows a open circuit	
Cables	3x 2 m; 3x 6.5 ft White Low-Loss	3x 0.5 m; 3x 6.5 ft White Low-Loss
Connectors	5G MiMo 2x: 2 x SMA-male*	W-LAN: 1 x SMA-male RP*
*Other types on request		
Mechanical Data		
Housing & Radome Material	ASA UL94 Thermoplastic, Brass, PCB	
Dimensions (approx.)	200 x 200 x 62 mm, 0.66 x 0.66 x 0.2 ft	
Weight (approx.)	400 gr, 0.9 lb	
Operating Temperature	-30 °C to +70 °C	
Installation type	On Vehicle Roof/ on Ceiling: 4x Screws (not included) Adhesive Gasket (Optional on Request)	
P/N	2219103/2SMA	2219203/0.5SMA

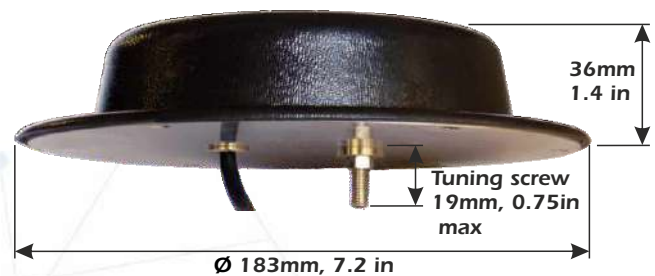
# LPA series

## Low Profile Antenna 380...470 MHz

**Features:**

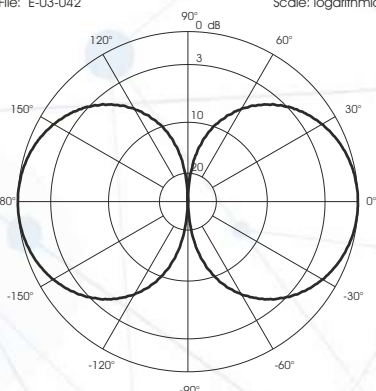
- # Low profile mobile antenna designed for use on vehicles operating under severe height limitations such as buses, trains, trams, etc
- # Unity-gain omnidirectional mono-band
- # Protection from static discharges DC-Ground
- # Tunable by acting on internal screw

Electrical Data	LPA 380	LPA 420
Frequency Range	tunable 380...430 MHz	tunable 420...470 MHz
Impedance	50 Ω	
Radiation (H-plane)	360° Omnidirectional	
Radiation (E-plane)	Beamwidth @ -3 dB = 78°	
Polarization	Linear Vertical	
Gain	2 dBi (0 dB ref. to λ/4 whip) @ resonant freq.	
SWR @ res. freq.	Typically ≤ 1.5 @ resonant freq.	
Bandwidth @ SWR ≤ 2	Typically 2.5% @ center freq.	
Max Power (CW) @30°C	100 Watts	
Grounding Protection	All metal parts are DC-grounded, the inner conductor is coupled capacitively	
Cable Length / Type	1m, 3.2 ft / RG 58 C/U	
Connector	Standard: BNC-male, other on request	
Mechanical Data		
Materials	ABS UV stabilized, Aluminium, Brass	
Operating temperature	-40° C to +80° C	
Dimensions (approx.)	Ø 183 mm, 7.2 in / height 36 mm, 1.4 in	
Weight (approx.)	400 gr, 0.9 lb	
Mounting Hole	6x Ø 4.5 mm, 0.18 in + 2x Ø 16mm, 0.63 in	
P/N	2219003/380	2219003/420



Remark: Optimum performance is achieved when the antenna is fitted on a metallic ground plane λ/2 square.

TYPICAL RADIATION PATTERN in E-plane at mid band  
File: E-03-042 Scale: logarithmic



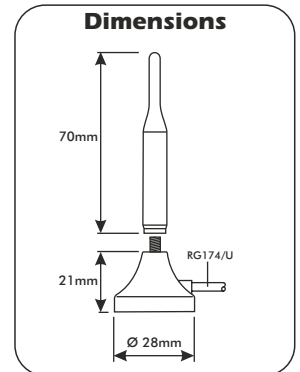
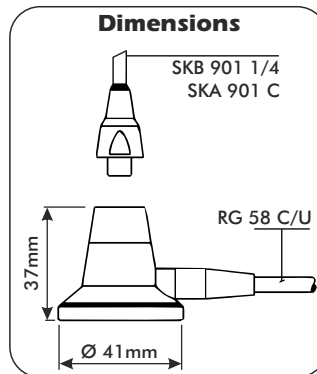
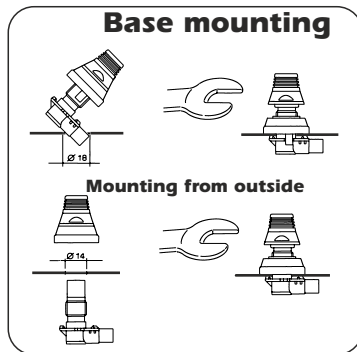
### Mounting and tuning instructions

LOW FREQ.  
↑  
HIGH FREQ.  
↓

## SKA, SKA MAG series MICROMAG LTE

### Features:

- # MICROMAG LTE: Magnetic antenna, Omnidirectional, Multi-band
- SKA/SKB 900 series: Hole or Magnetic, Omnidirectional, Mono-band
- # Ultra strenght neodinium magnet, No tuning required
- # MICROMAG LTE: for 2G-GSM, 3G-UMTS, 4G-LTE, ISM/LoRa, W-Lan etc
- # SKA/SKB 900 series: for AMPS, ISM, GSM 900 or GSM 900 systems



SKB 901 1/4

SKA 901 C



SKA 901 C MAG

SKB 901 1/4 MAG



MICROMAG LTE

Electrical Data	SKB 901 1/4	SKA 901 C	SKB 901 1/4 MAG	SKA 901 C MAG	MICROMAG LTE
Type	1/4 λ	1/4 λ + 5/8 λ. Colinear	1/4 λ	1/4 λ + 5/8 λ. Colinear	1/4 λ both band
Frequency Range	824 - 960 MHz @ SWR ≤ 1.8 (AMPS, ISM, GSM 900)	880 - 960 MHz @ SWR ≤ 2.2 (GSM 900)	824 - 960 MHz @ SWR ≤ 1.8 (AMPS, ISM, GSM 900)	880 - 960 MHz @ SWR ≤ 2.2 (GSM 900)	698-960 & 1710-2700 MHz @ SWR ≤ 2.0 (2G, 3G-UMTS, 4G-LTE, Wi-Fi, W-Lan etc)
Impedance	50 Ω				
Radiation (H-plane)	360° omnidirectional				
Polarization	Linear Vertical				
Gain	0 dB ref. to λ/4 whip	3.5 dB ref. to λ/4 whip	0 dB ref. to λ/4 whip	3.5 dB ref. to λ/4 whip	0 dB ref. to λ/4 whip
Max Power (CW) @ 30° C	30 Watts	30 Watts	30 Watts	30 Watts	20 Watts
Cable Type / Length	RG 58 C/U / 5 m, 16.4 ft	RG 58 C/U / 5 m, 16.4 ft	RG 58 C/U / 3 m, 10 ft	RG 58 C/U / 3 m, 10 ft	RG 174/U / 3 m, 10 ft
Connector	FME-female, other on request				
Mechanical Data					
Materials	Stainless Steel 17/7 PH, Chromed Brass, Nylon	Chromed Brass, Black Chromed Stainless Steel	Stainless Steel 17/7 PH, Chromed Brass, Nylon	Chromed Brass, Black Chromed Stainless Steel	Nylon, Chromed Brass, Stainless Steel
Height (approx.)	90 mm, 3.5 in	320 mm, 12.6 in	68 mm, 2.7 in	295 mm, 11.6 in	90 mm, 3.5 in
Weight (approx.)	260 gr, 0.57 lb	280 gr, 0.6 lb	250 gr, 0.55 lb	280 gr, 0.6 lb	80 gr, 0.2 lb
Mounting	"ML" mount / hole Ø 14, 0.55in or 18 mm, 0.7 in Magnetic, with ultra strength Neodinium magnet				
P/N	2208806.26	2208906.26	2208806.75	2208906.75	2217106/3FME

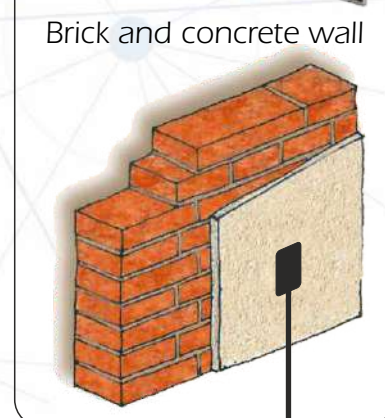
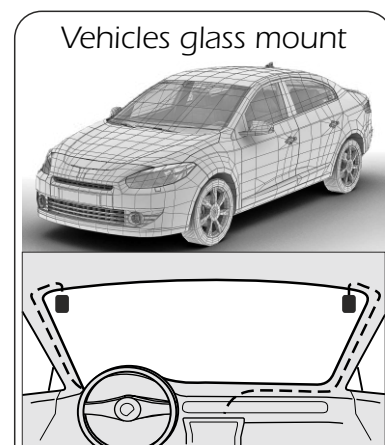
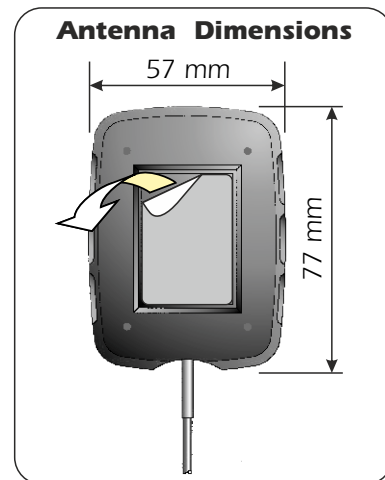
# INGLASS series

**Features:**

- # In-doors antennas, Omnidirectional, Multi-band, Unity gain
- # No tuning required
- # Adhesive on not metallic surface mount, flat profile
- # INGLASS MULTIBAND: for ISM, GSM 900/1800, UMTS systems
- INGLASS LTE & WLAN: for LTE, GSM dual, UMTS, WLAN 2.4 & 5GHz (IEEE 802.11b/g/h/p) V2X system



## Adhesive installation Multi-band

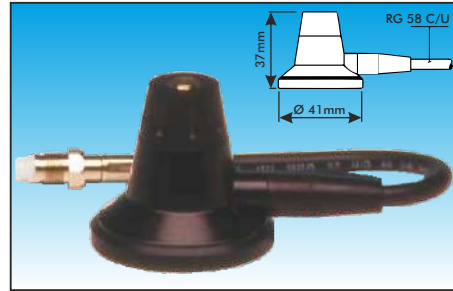


Electrical Data	INGLASS MULTIBAND	IN-GLASS LTE & WLAN
Type	1/2 λ dipole	
Frequency Range	868 - 960 MHz @ SWR ≤ 2.0 & 1.71 - 2.17 GHz @ SWR ≤ 2.0 (ISM 868, ISM 915, GSM dual, UMTS)	800 - 810 MHz @ SWR ≤ 2.6 & 810 - 960 MHz @ SWR ≤ 2.0 & 1.71 - 5.925 GHz @ SWR ≤ 2.2 (LTE, GSM dual, UMTS, WiMAX, WiFi IEEE 802.11b/g/h/p, V2X system)
Impedance	50 Ω	
Radiation (H-plane)	360° omnidirectional	
Polarization	Linear Vertical	
Gain	0 dBd, 2.15 dBi all bands	
Max Power (CW) @ 30° C	10 Watts	10 Watts from 800 to 2700 MHz 6 Watts from 2.7 to 3.8 GHz 5 Watt from 3.8 to 5.925 GHz
Cable Type / Length	RG 174 / 3 m, 10 ft	
Connector	FME-female or SMA-male	SMA-male
<b>Mechanical Data</b>		
Materials	PCB, Thermoplastic	
Dimensions (approx.)	57 x 77 x 10 mm, 2.2 x 3 x 0.4 in	
Weight (approx.)	70 gr, 0.15 lb	
Mounting	Adhesive tape, suitable for «not metallic» surfaces	
P/N SMA-m connector	2215902/3SMA	2216802/3SMA
P/N FME-f connector	2215902/3FME	/



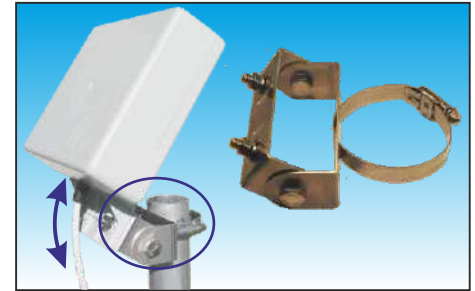
**Base "ML" w/cable/FME-f**

Frequency range: from DC to 1000 MHz  
 Overall Size:  $\varnothing$  30 mm, 1.2 in  
 Mounting Hole:  $\varnothing$  14mm, 0.55in or 18mm, 0.7 in  
 Material: Chromed Brass, Nylon, Siliconic Rubber  
 Cable Type / Length / Connector: RG 58 C/U / 5m, 16.4 ft / FME-female  
 ML mount w/cable ..... 2509305.00



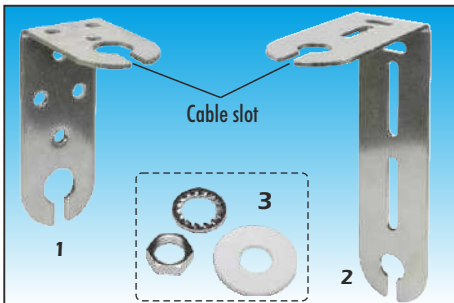
**"CELL MAG" Magnetic Mount**

Frequency range: from DC to 1000 MHz  
 Overall Size:  $\varnothing$  41 mm, 1.6 in  
 Mounting: Magnetic with ultra strenght neodinium magnet  
 Material: Chromed Brass, Nylon, Siliconic Rubber  
 Cable Type / Length / Connector: RG 58 C/U / 3m, 10ft / FME-female  
 CELLMAG magnetic mount ..... 2510202.06



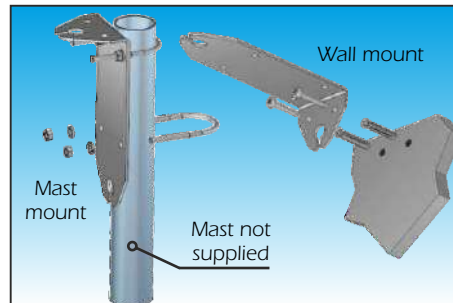
**"TB-1" Tilting Bracket for SMP series**

Material: Stainless Steel.  
 Installation: mast  $\varnothing$  35-50 mm, 1.4-2 in with clamp included  
 wall with mounting screws (not included)  
 TB-1 tilting bracket ..... 2519703.00



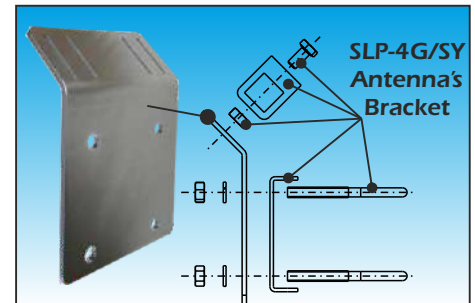
**"M-1", "M-2" Marine Brackets**

Dimension: M1: 38x64x98 mm, 1.5x2.5x3.8 in;  
 M2: 45x100x180 mm, 1.5x3.9x7 in  
 Material: Stainless Steel. Mounting Hole: 2x  $\varnothing$  16 mm, 0.63 in  
 1 M-1 Marine Bracket ..... 2503503.00  
 2 M-2 Marine Bracket ..... 2503203.00  
 3 With Optional fixing set ..... 2503203.00/SA or 2503503.00/SA



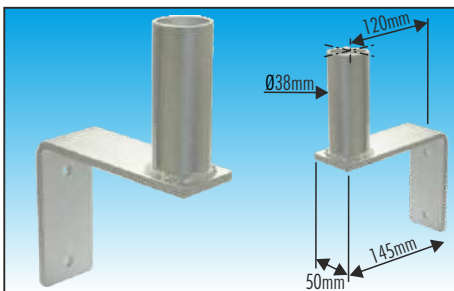
**"M-3" Fixing Bracket**

Dimension: 60 x 70 x 195 mm, 2.4 x 2.75 x 7.7 in  
 Material: Zinc Plated Steel. Antenna fitting: 2x  $\varnothing$  16 mm, 0.63 in  
 Mounting on Mast:  $\varnothing$  35-42 mm,  $\varnothing$  1.4-1.65 inch with U-bolt  
 Mounting on Wall: with screws (not included)  
 M-3 Bracket ..... 2503604.00



**"M-4" 45° bracket for "SLP-4G" & "SY"**

Dimension: 80x111 mm, 3.1 x 4.4 in Material: Zinc Plated Steel.  
 Mounting: need the bracket supplied with the antennas  
 M-4 45° Bracket ..... 2503704.00



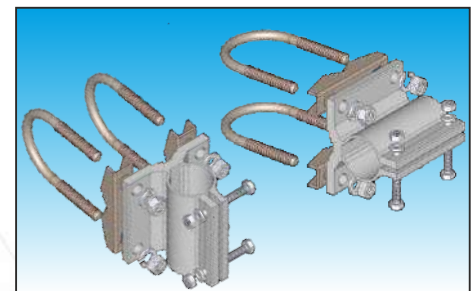
**"FT-4" Fixing Bracket**

Top Size for antenna fitting:  $\varnothing$  38 x 100 mm,  $\varnothing$  1.5 x 3.9 in  
 Dimension LxWxH (approx.): 50x145x220 mm, 2x5.7x8.7 in  
 Bottom Size: 2x  $\varnothing$  9 mm, 0.35 in wall fitting (screws not included).  
 Weight (approx.): 780gr, 1.7 lb. Material: Galvanized Steel.  
 FT-4 ..... 2513404.00



**"FT-5" 2x Fixing brackets for "SPO series"**

Material: Extruded Aluminium, Hardware: Stainless Steel.  
 Installation: mast  $\varnothing$  35-52 mm, 1.4-2.0 in with clamp included  
 Dimensions: (each) 80x76x25mm, 3.1x3x1 in. Weight 220 gr, 0.5 lb  
 FT-5 brackets ..... 2519613.00



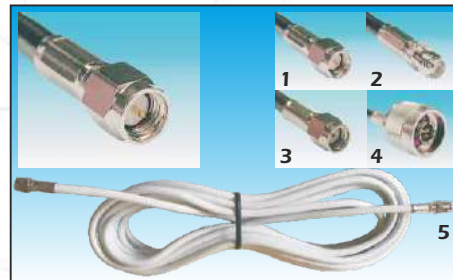
**"FT-6" Fixing bracket for "WY series"**

Material: Extruded Aluminium, Hardware: Stainless Steel.  
 Installation: mast  $\varnothing$  35-52 mm, 1.4-2.0 in with clamp included  
 Dimensions: 80x76x65mm, 3.1x3x2.3 in. Weight 460 gr, 1 lb  
 FT-6 bracket ..... 2519913.00



**Extention cable w/2x FME-f**

Cable Type / Connectors: RG 58 / 2x FME-female  
 0.5 m, 1.6 ft RG 58 Cable 2 x FME-f ..... 2510305.00  
 1.5 m, 4.9 ft RG 58 Cable 2 x FME-f ..... 2510405.00  
 3.5 m, 11.5 ft RG 58 Cable 2 x FME-f ..... 2510505.00  
 4.0 m, 13.1 ft RG 58 Cable 2 x FME-f ..... 2510705.00  
 5.0 m, 16.4 ft RG 58 Cable 2 x FME-f ..... 2510605.00



**Extention cable w SMA-male / .....**

Cable Length / Type: 5m, 16.4 ft / Low Loss  
 1 SMA-male / SMA-male ..... 2550906/5CO  
 2 SMA-male / SMA-female ..... 2550106/5CO  
 3 SMA-male / SMA-male Reverse Polarity ..... 2550506/5CO  
 4 SMA-male / N-male ..... 2550706/5CO  
 5 SMA-male / FME-female ..... 2550206/5CO  
 Other lengths or connectors: on request, minimum quantity order 100pcs.



**"Antennas' Dispenser"**

Overall Dimension W x H: 86 x 230 cm, 2.8 x 7.5 ft  
 Material: Painted steel. Max weight capacity: 20 Kg, 44 lb  
 Antenna's dispenser ..... 32.0002



**SMA-male**

Frequency: from DC to 9 GHz. Materials: Nickel plated brass, PTFE insulator, Gold plated pin.  
Crimp type for RG 58, Low Loss ... 30.SMA001.00  
Crimp type for RG 174, RG 316 .... 30.SMA002.00



**SMA-female**

Frequency: from DC to 9 GHz. Materials: Nickel plated brass, PTFE insulator, Gold plated pin.  
Crimp type for RG 58, Low Loss ... 30.SMA003.00  
Crimp type for RG 174, RG 316 .... 30.SMA004.00



**SMA-male Reverse Polarity**

Frequency: from DC to 9 GHz. Materials: Nickel plated brass, PTFE insulator, Gold plated pin.  
Crimp type for RG 58, Low Loss ... 30.SMA005.00  
Crimp type for RG 174, RG 316 .... 30.SMA006.00



**SMA-female Panel**

Frequency: from DC to 9 GHz. Materials: Nickel plated brass, PTFE insulator, Gold plated pin.  
Crimp type for RG 58, Low Loss ... 30.SMA008.00  
Crimp type for RG 174, RG 316 .... 30.SMA007.00



**FME-male**

Materials: Nickel plated brass, PTFE insulator, Gold plated central pin.  
Crimp type for RG 58, Low Loss ... 30.FME001.00  
Crimp type for RG 174, RG 316 .... 30.FME005.00



**FME-female**

Materials: Nickel plated brass, Delrin insulator, Gold plated central pin.  
Crimp type for RG 58, Low Loss ... 30.FME002.00  
Crimp type for RG 174, RG 316 .... 30.FME003.00



**N-male**

Frequency: from DC to 6 GHz. Materials: Nickel plated brass, PTFE insulator, Gold plated pin.  
Crimp type for RG 58, Low Loss ..... 30.N001.00  
Crimp type for RG 8, RG 213 ..... 30.N008.00  
Clamp type for RG 8, RG 213 ..... 30.N003.00  
Crimp type for H155 ..... 30.N005.00



**N-female**

Frequency: from DC to 6 GHz. Materials: Nickel plated brass, PTFE insulator, Gold plated pin.  
Crimp type for RG 58, Low Loss ..... 30.N002.00  
Clamp type for RG 58, Low Loss .... 30.N009.00  
Clamp type for RG 8, RG 213 ..... 30.N004.00  
Crimp type for H155 ..... 30.N006.00



**BNC-male**

Frequency: from DC to 4 GHz. Materials: Nickel plated brass, Delrin insulator, Gold plated pin.  
Crimp type for RG 58, Low Loss ... 30.BNC001.00



**BNC-female**

Frequency: from DC to 4 GHz. Materials: Nickel plated brass, Delrin insulator, Gold plated pin.  
Crimp type for RG 58, Low Loss ... 30.BNC002.00



**TNC-male**

Frequency: from DC to 4 GHz. Materials: Nickel plated brass, PTFE insulator, Gold plated pin.  
Crimp type for RG 58, Low Loss .... 30.TNC001.00



**TNC-male Reverse Polarity**

Frequency: from DC to 4 GHz. Materials: Nickel plated brass, PTFE insulator, Gold plated pin.  
Crimp type for RG 58, Low Loss .... 30.TNC002.00

## COAXIAL CABLES Data

## Attenuation dB for 100 m

Freq. Cable	Impedance	Colour	External diameter	Attenuation dB for 100 m															
				25 MHz	50 MHz	100 MHz	200 MHz	300 MHz	400 MHz	500 MHz	800 MHz	1 GHz	1.6 GHz	1.8 GHz	2.0 GHz	2.2 GHz	2.4 GHz	2.5 GHz	3.0 GHz
RG 58 C/U	50 W	Black	4.95 mm, 0.2 in	7	10	15	21	26	30	34	44	50	66	70	76	78	86	87	98
	50 W	White	4.95 mm, 0.2 in	5	7	10	14	17	20	23	29	33	42	45	48	50	53	54	60
RG 174	50 W	Black	2.8 mm, 0.11 in	13	18	27	39	48	56	64	84	95	124	133	141	150	159	162	184
RG 316/U	50 W	Brown	2.5 mm, 0.1 in	12	17	26	38	47	55	62	80	91	118	126	134	141	149	152	169

## Coaxial ADAPTORS table

		Side A											
		BNC-f	BNC-m	FME-m	mini UHF-m	N-f	N-m	SMA-f	SMA-m	TNC-m	UHF-f	UHF-m	
Side B	BNC-f	30.AD027.00					30.AD033.00	30.AD013.00	30.AD018.00			30.AD025.00	
	BNC-m		30.AD028.00	30.AD005.00		30.AD035.00		30.AD014.00	30.AD019.00		30.AD022.00		
	FME-m		30.AD005.00		30.AD004.00		30.AD006.00			30.AD003.00		30.AD002.00	
	mini UHF-m			30.AD004.00									
	N-f		30.AD035.00			30.AD008.00		30.AD015.00			30.AD026.00	30.AD023.00	
	N-m	30.AD033.00		30.AD006.00				30.AD031.00	30.AD016.00	30.AD020.00		30.AD012.00	
	SMA-f	30.AD013.00	30.AD014.00			30.AD015.00	30.AD016.00	30.AD009.00				30.AD017.00	
	SMA-m	30.AD018.00	30.AD019.00				30.AD020.00		30.AD010.00			30.AD021.00	
	TNC-m			30.AD003.00									
	UHF-f		30.AD022.00			30.AD026.00	30.AD012.00	30.AD017.00	30.AD021.00			30.AD011.00	
UHF-m	30.AD025.00		30.AD002.00		30.AD023.00								



While the information has been carefully compiled to the best of our knowledge, nothing is intended as representation or warranty on our part and no statement herein shall be construed as recommendation to infringe existing patents. SIRIO ANTENNE reserves the right to change on any time and without prior warning the technical specification on any product in this catalogue. Copyright ©2023



Via Liguria, 15  
46049 Volta Mantovana (MN) - ITALY

Tel: +39.0376.801515  
Fax: +39.0376.801254

[www.sirioantenne.it](http://www.sirioantenne.it) / [info@sirioantenne.it](mailto:info@sirioantenne.it)