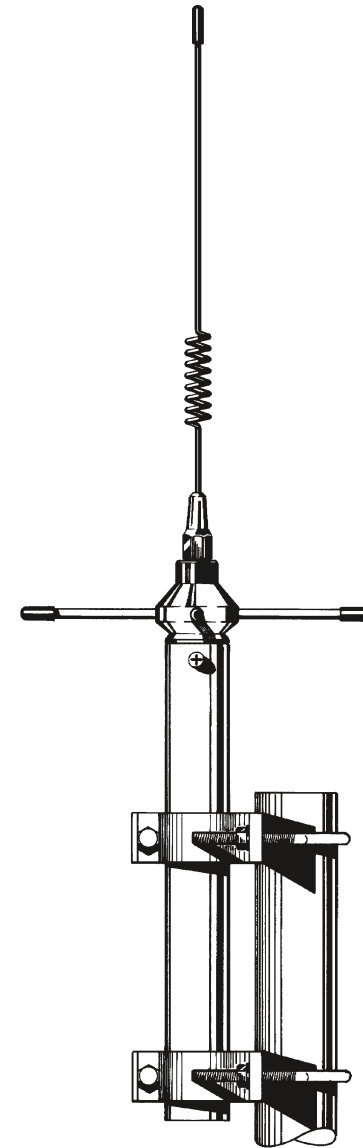


GP 868 C

UHF Base Station Antenna 868 MHz ISM service



Installation Manual

DESCRIPTION

UHF colinear Ground Plane antenna suitable for the base station on 868 MHz frequency (ISM service). The main whip and the radials are made of 17/7 PH stainless steel and its base is of chromed brass to get the best robustness. Easy to fit, it is suitable for a handy installation everywhere.

SPECIFICATIONS

Electrical Data

Type	: $1/4 \lambda + 1/2 \lambda$ Colinear
Frequency Range @ SWR ≤ 2	: 835 - 900 MHz
Impedance	: 50Ω
Polarization	: Linear Vertical
Max Gain	: 3 dBd, 5.14 dBi
Beamwidth Horizontal	: 360° omnidirectional
SWR @ res. freq.	: ≤ 1.2
Max Power	: 50 Watts (CW) @ 30° C
Connector type	: N-female, gold plated central pin

Mechanical Data

Housing Materials	: Stainless Steel, Aluminium, Chromed Brass
Wind Load / Resistance	: 13N @ 150 Km/h / 180 Km/h
Wind Surface	: 0.015 m^2
Height (approx.)	: 600 mm
Weight (approx.)	: 700 gr
Radial Length (approx.)	: 90 mm
Operating Temperature	: -40° C to 80° C
Mounting Mast	: $\varnothing 35\text{-}54 \text{ mm}$

MOUNTING INSTRUCTIONS

Part list		
Pos	Q.ty	Description
1	1	Black stainless steel whip
2	1	Chromed base
3	1	$\varnothing 29 \times 32 \times 250 \text{ mm}$ alu. tube
4	4	$\varnothing 5 \text{ mm}$ Stainless steel radials
5	4	$\varnothing 5 \text{ mm}$ plastic caps
6	4	Nylon radials reinforce
7	4	M4x5 hexagon socket set screw
8	1	2mm exagonal key
9	3	M4x6 phillips screws
10	3	M4 washer
11	2	Extruded aluminium bracket
12	2	M6x188 V-bolt
13	2	M6x20 Hexagonal head screw
14	6	M6 Spring lock washer
15	6	M6 Hexagonal nut

