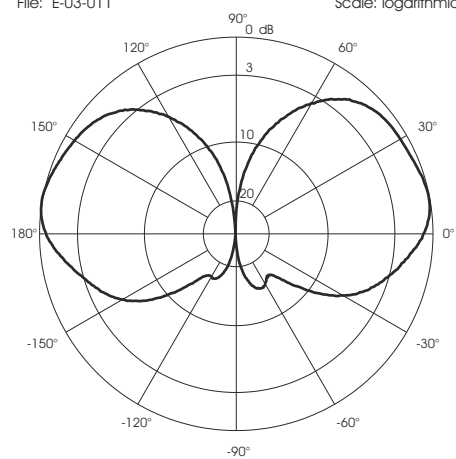


TYPICAL RADIATION PATTERN in E-plane at mid band
File: E-03-011 Scale: logarithmic



CX 30cm series

UHF Base Station Antennas 824-894 / 845-885 / 880-960 MHz



CX 840
CX 868
CX 900

DESCRIPTION

UHF antennas for base station service made of high quality materials to get the best performance and the maximum efficiency. They are completely manufactured with aluminium tubes and thermoplastic UV stabilized for its great robustness and supplied with a solid steel bracket for an easy and safe installation. They are DC-grounded for a perfect protection against the discharges and no tuning is required. Simple and strong, they are particularly recommended for a professional use.

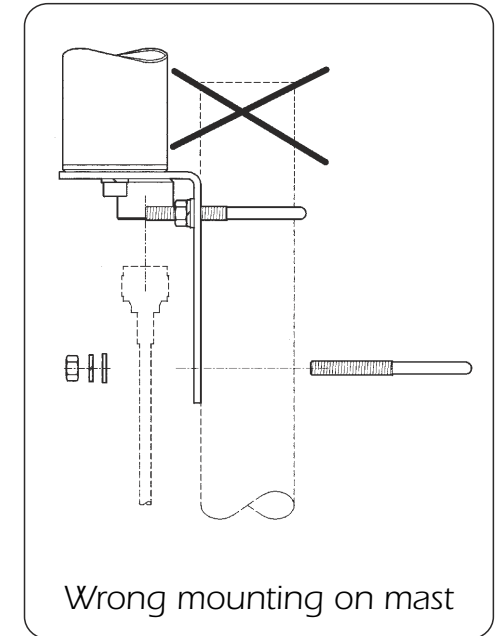
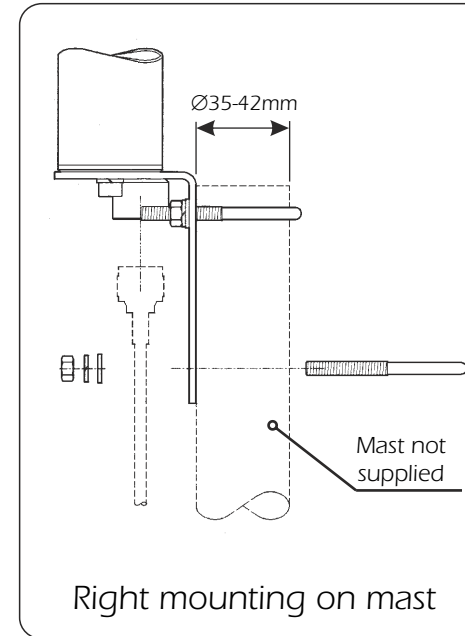
SPECIFICATIONS

Electrical Data	CX 840	CX 868	CX 900
Type	3/4 λ Coax J-pole		
Frequency Range	824 - 894 MHz (AMPS system)	845 - 885 MHz (ISM 868 system)	880 - 960 MHz (GSM 900 system)
Impedance	50 Ω		
Radiation (H-plane)	360° Omnidirectional		
Radiation (E-plane) Beamwidth @ -3 dB	70° @ 920 MHz		
Radiation angle deg.	10°		
Polarization	Linear Vertical		
Gain	0 dBd; 2.15 dBi		
SWR in bandwidth	TX-band 824-849MHz \leq 1.6 RX-band 869-894MHz \leq 2.8	\leq 1.5	TX-band 880-915MHz \leq 1.8 RX-band 825-960MHz \leq 2.6
Max Power (CW) @ 30° C	100 Watts		
Grounding Protection	All metal parts are DC-grounded, the inner conductor shows a DC-short		
Connector	N-female		

Mechanical Data

Housing & Radome Material	Aluminium, Zamac, Brass, Thermoplastic UV-stabilized		
Bracket & Hardware Material	Galvanized Steel		
Wind Load @ 150 Km/h / Resistance	17 N / 180 Km/h, 112 mi/h		
Wind Surface	0.01 m ² , 0.1 ft ²		
Height (approx.)	390 mm, 1.28 ft	380 mm, 1.24 ft	370 mm, 1.2 ft
Operating Temperature	-40 °C to +80 °C		
Weight (approx.)	470 gr, 1 lb		
Installation type	Mast: \varnothing 35-42 mm, \varnothing 1.4-1.65 in		

MOUNTING INSTRUCTIONS



Hardware Part list

Q.ty	Description
2	M6x160 U-bolt
4	M6 flat washer
4	M6 lock washer
4	M6 Hexagonal nut