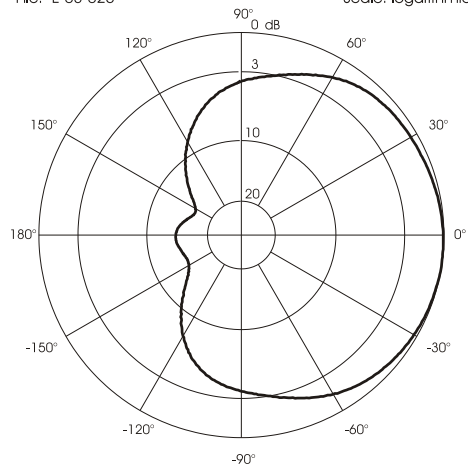


TYPICAL RADIATION PATTERN in H-plane at 1930 MHz

File: E-03-026

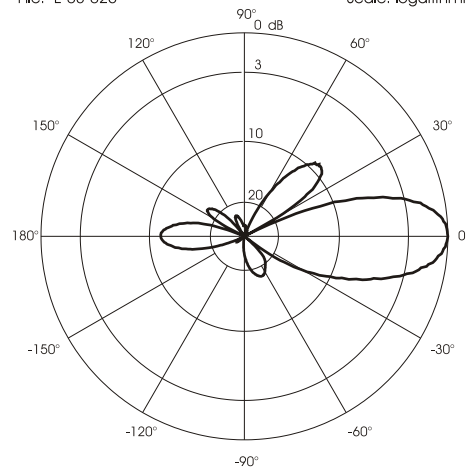
Scale: logarithmic



TYPICAL RADIATION PATTERN in E-plane at 1930 MHz

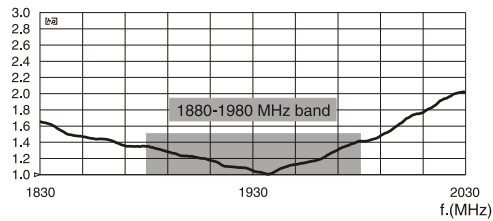
File: E-03-026

Scale: logarithmic



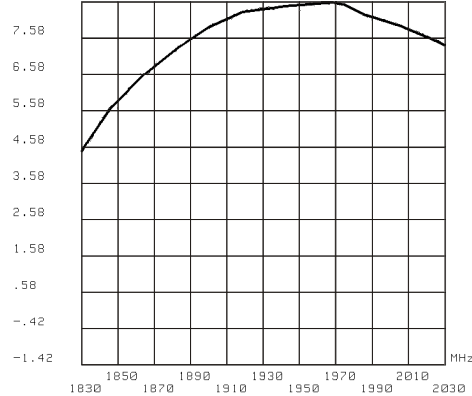
TYPICAL S.W.R. RESPONSE

S.W.R. Model: SMS-1.93x2-8 File: F-03-026



TYPICAL GAIN DIAGRAM vs FREQUENCY

GAIN (dBi) File: D-03-026



SMS - 1.93 x 2 - 8
DECT Base Station Antenna 1880-1980 MHz



DESCRIPTION

Base station antenna conceived for DECT system. The radiant element is a PTFE PCB to guarantee high power and low losses and it is protected by ASA radome. It's supplied with an aluminium bracket for an easy installation on the mast. The antenna is made of 2 separate sectors covering 180° each. When both sectors work in the same time they can cover 360° horizontal.

SPECIFICATIONS

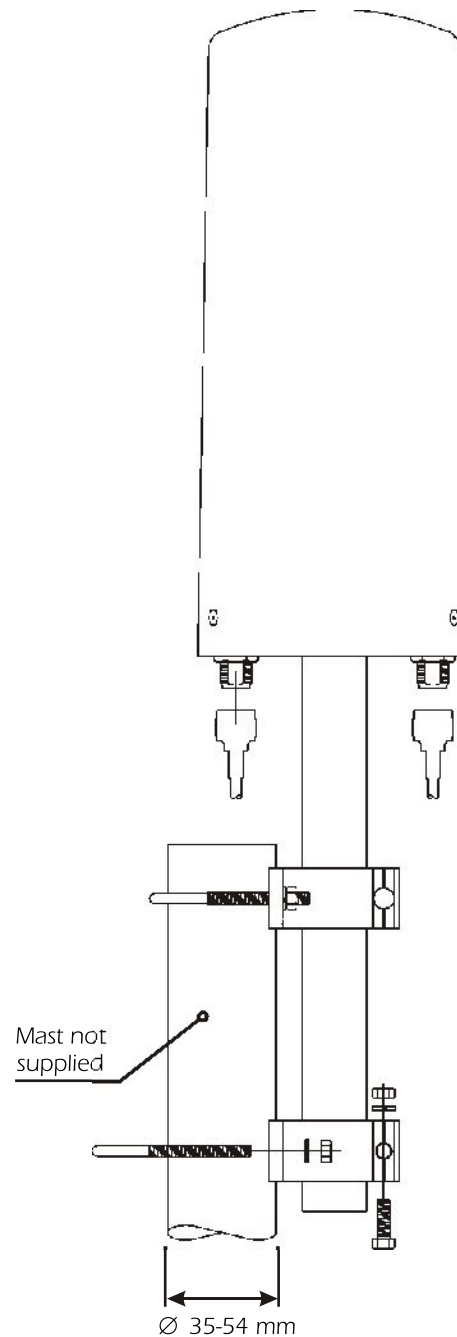
Electrical Data

Type	: Multi Sector Dipole Array
Frequency Range	: 1880-1980 MHz @ SWR ≤ 1.5 (DECT system)
Impedance	: 50 Ω
Radiation (H-plane)	: 3 dB Beamwidth = 158° @ 1930 MHz
Radiation (E-plane)	: 3 dB Beamwidth = 27° @ 1930 MHz
Radiation Angle	: 0°
Front to Back Ratio	: ≥ 10 dB
Isolation	: ≥ 30 dB (between the two port)
Polarization	: Linear Vertical
Gain	: 6.5 dBd - 8.6 dBi
Max Power	: 20 Watts (CW) @ 30° C
Grounding Protection	: All metal parts are DC-grounded, the inner conductor shows a DC-short
Connectors	: 2 x N-female, gold plated central pin

Mechanical Data

Housing Materials	: Aluminium, Stainless Steel, PCB, Chromed Brass
Radome Material	: Thermoplastic UV stabilized
Wind Load / Resistance	: 60N @ 150 Km/h / 200 Km/h
Wind Surface	: 0.05 m ²
Height (approx.)	: 600 mm
Radome diameter (approx.)	: Ø 136 mm
Weight (approx.)	: 1150 gr
Operating Temperature	: -40° C to 80° C
Mounting Mast	: Ø 35-54 mm with V-bolt

MOUNTING INSTRUCTIONS



Fixing bracket:



Fixing bracket part list

Q.ty	Description
2	Extruded aluminium bracket
2	M6x188 V-bolt
2	M6x20 Exagonal head screw
6	M6 Spring lock washer
6	M6 Hexagonal nut
Materials:	extruded aluminum
Hardware:	stainless steel
Dimensions :	80 x 76 x 25 mm
Weight:	220 g
Re-order code: SA104	