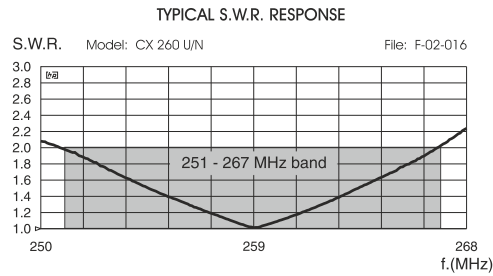
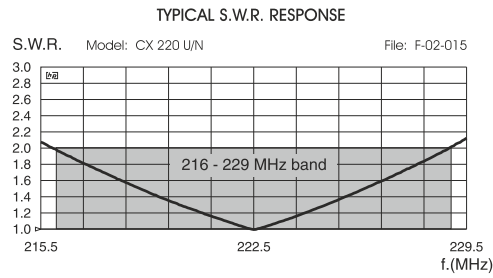
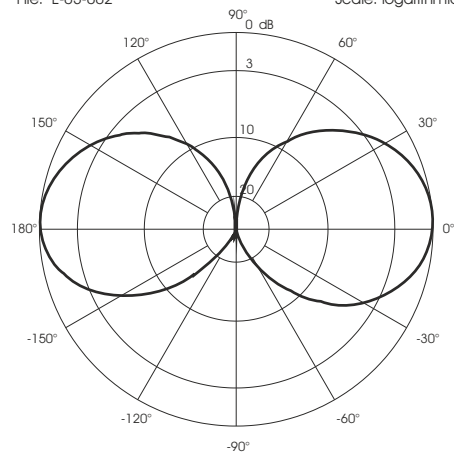


# CX 220 / 260

VHF Base Station Antennas 216-229 / 250-266 MHz



TYPICAL RADIATION PATTERN in E-plane at mid band  
File: E-03-002 Scale: logarithmic



*Installation Manual*

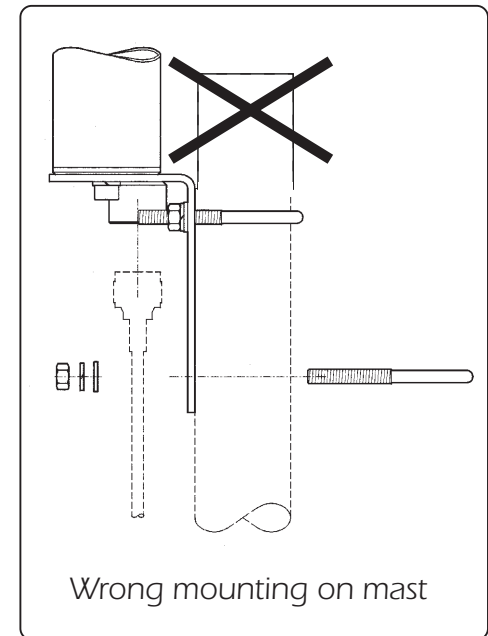
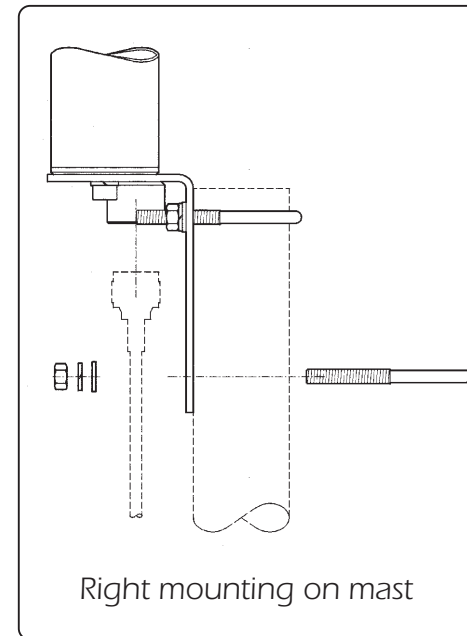


HI-QUALITY ANTENNAS MADE IN ITALY

## SPECIFICATIONS

Electrical Data	CX 220 U/N	CX 260 U/N
Type	3/4 λ Coaxial J-pole	
Frequency Range @ SWR ≤ 1.5	219 - 226 MHz	255 - 264 MHz
Frequency Range @ SWR ≤ 2.0	216 - 229 MHz	251 - 267 MHz
Impedance	50 Ω	
Radiation (H-plane)	360° Omnidirectional, HCM code = 000ND00	
Radiation (E-plane)	beamwidth @ -3 dB = 60°, HCM code = 030ND00	
Radiation angle deg.	0°	
Polarization	Linear Vertical	
Gain	0 dBd - 2.15 dBi	
Max Power (CW) @ 30°C	200 Watts	
Grounding Protection	All metal parts are DC-grounded, the inner conductor shows a DC short	
Connector	CX 220 U, CX 260 U: UHF-female CX 220 N, CX 260 N: N-female	
<b>Mechanical Data</b>		
Materials		
Wind Load @ 150 km/h	Aluminium, Zamak, Steel, Brass	
Wind Resistance	36 N	
Wind Surface	180 Km/h, 112 mi/h	
Height (approx.)	0.03 m <sup>2</sup> , 0.32 ft <sup>2</sup>	
Weight (approx.)	1100 mm; 3.6 ft	950 mm; 3.1 ft
Mounting Mast	630 gr, 1.4 lb	
	∅ 35 - 42 mm, 1.4 - 1.6 in	

## MOUNTING INSTRUCTIONS



HARDWARE PARTS LIST	
Qty	Descriptions
n.2	U-bolts
n.4	M6 flat washer
n.4	M6 lock washer
n.4	M6 hex nut