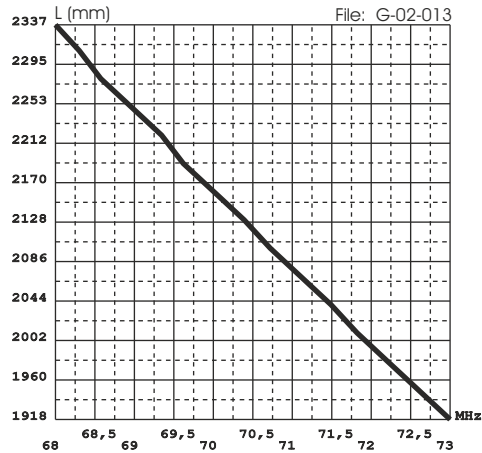
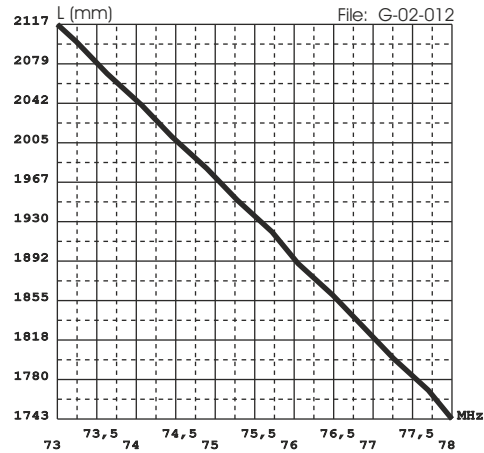


TYPICAL TUNING INSTRUCTIONS

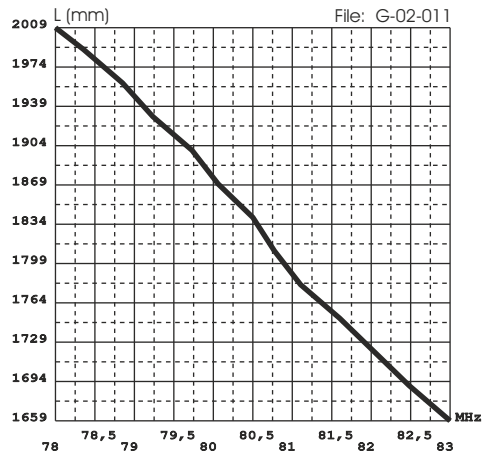
CX 4-68



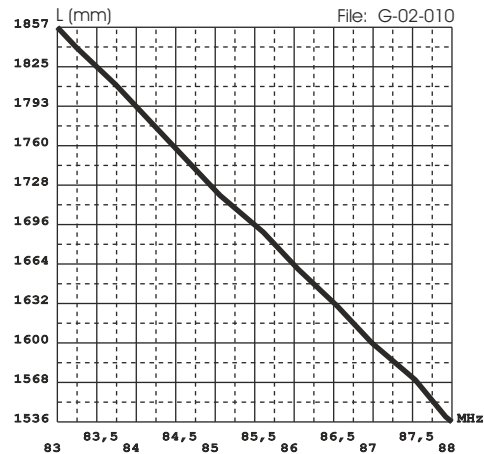
CX 4-73



CX 4-78



CX 4-83



NOTE:

- **L** is the length indicated in the above pictures.
- It is recommended to use the curves just as a guide. Fine-tuning by using an SWR-Meter.

CX 4m series VHF Base Station Antennas 68...88 MHz

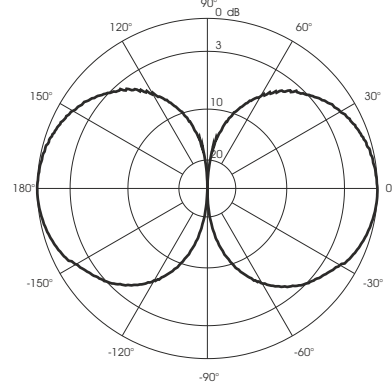


SPECIFICATIONS

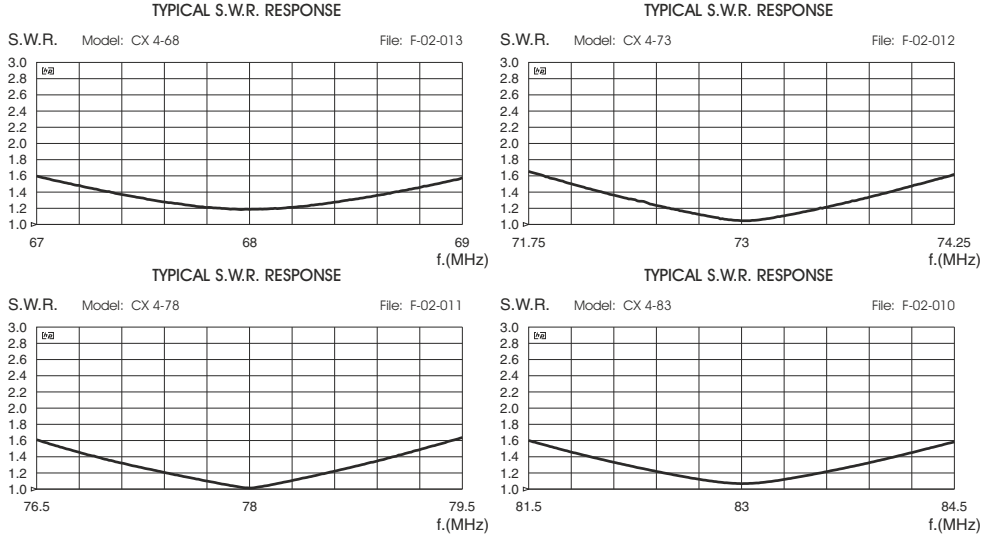
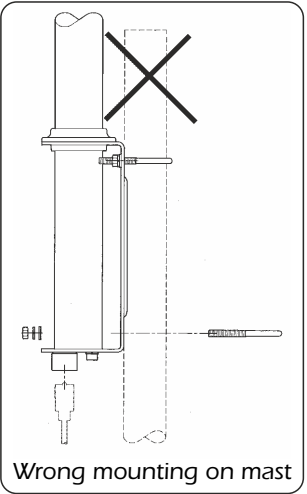
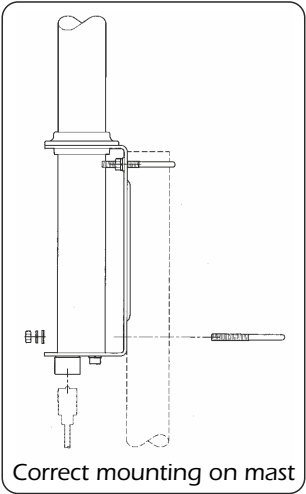
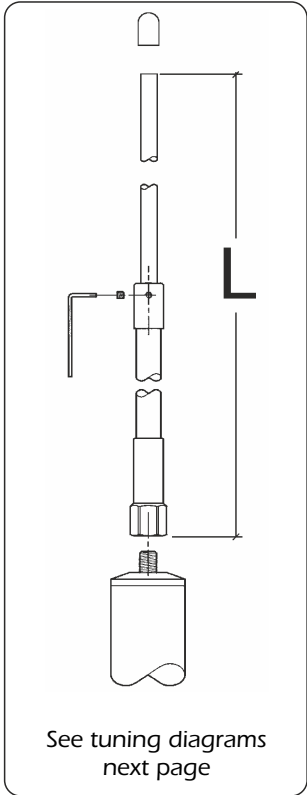
Electrical Data	CX 4-68	CX 4-73	CX 4-78	CX 4-83
Type	3/4 λ Coaxial J-pole			
Frequency Range	tunable 68...73 MHz	tunable 73...78 MHz	tunable 78...83 MHz	tunable 83...88 MHz
Impedance	50 Ω			
Radiation (H-plane)	360° Omnidirectional - HCM code = 000ND00			
Radiation (E-plane)	Beamwidth @ -3 dB = 60° - HCM code = 030ND00			
Radiation angle deg.	3°			
Polarization	Linear Vertical			
Gain	0 dBd - 2.15 dBi			
SWR @ res. freq.	≤ 1.2 @ 68 MHz	≤ 1.2 @ 73 MHz	≤ 1.2 @ 78 MHz	≤ 1.2 @ 83 MHz
Bandwidth @ SWR ≤ 1.5	≥ 1.7 MHz @ 68 MHz	≥ 2 MHz @ 73 MHz	≥ 2.5 MHz @ 78 MHz	≥ 2.5 MHz @ 83 MHz
Max Power (CW) @ 30°C	500 Watts			
Grounding Protection	All metal parts are DC-grounded, the inner conductor shows a DC short			
Connector	UHF-female or N-female			

Mechanical Data				
Materials	Aluminium, Nylon, Zinc Plated Steel, Brass			
Wind Load @ 150 km/h	97 N	95 N	91 N	90 N
Wind Resistance	150 Km/h; 93 mi/h			
Wind Surface	0.08 m ² ; 0.85 ft ²			
Height (approx.)	3325 mm; 10.9 ft	3090 mm; 10.1 ft	2900 mm; 9.5 ft	2720 mm; 8.9 ft
Weight (approx.)	2000 gr; 4.4 lb	1920 gr; 4.2 lb	1850 gr; 4.1 lb	1800 gr; 4.0 lb
Mounting Mast	∅ 35 - 42 mm; ∅ 1.4 - 1.65 in			

TYPICAL RADIATION PATTERN in E-plane at mid band
File: E-02-013 Scale: logarithmic



MOUNTING INSTRUCTIONS



HARDWARE PARTS LIST	
Qty	Descriptions
n.2	M6x160 U-bolts
n.4	M6 Flat washer
n.4	M6 Lock washer
n.4	M6 Hex nut
n.1	M4x4 Hexagon socket set screw
n.1	2mm Exagonal key
n.1	∅10mm PVC cap