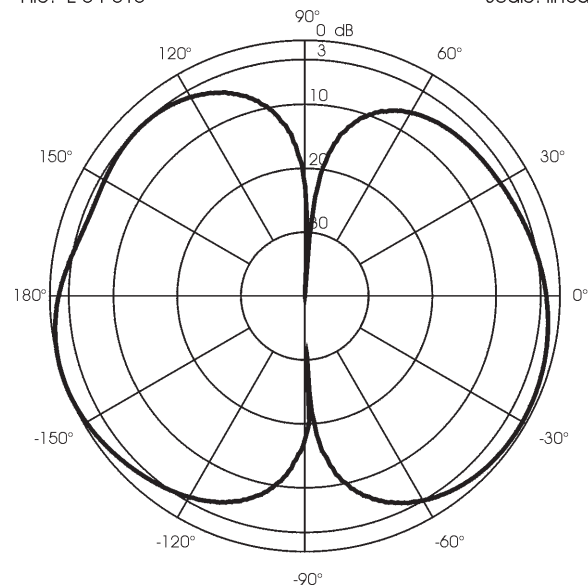


TYPICAL RADIATION PATTERN in E-plane at 918 MHz

File: E-04-010

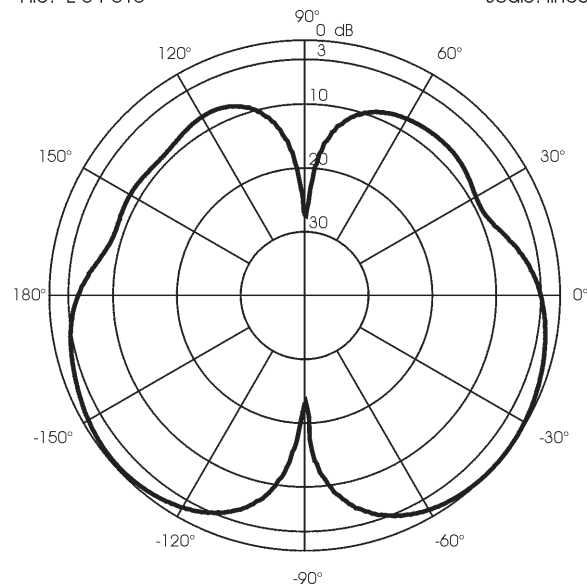
Scale: linear



TYPICAL RADIATION PATTERN in E-plane at 1920 MHz

File: E-04-010

Scale: linear



Model *SCM - 918 - 2*
Indoor Ceiling Multi-Band Antenna (GSM, DCS, DECT, UMTS)



Installation Manual

DESCRIPTION

Multi-band indoor ceiling antenna working on 876-960 MHz and 1.7-2.17 GHz conceived for GSM 900& 1800, PCS 1.9GHz, DECT and UMTS systems. The radiant element is made of brass and protected by a High impact polystyrol radome to get the best robustness for long periods of time. It's paintable according to the ceiling surface (lead contents free).

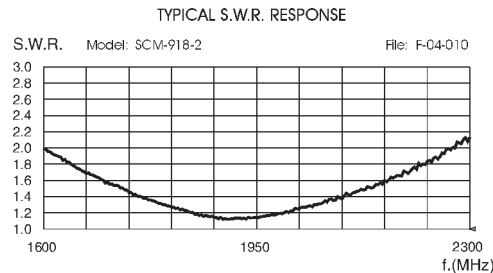
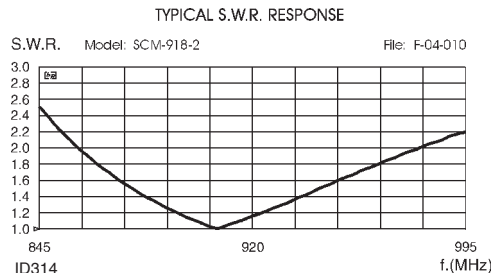
SPECIFICATIONS

Electrical Data

Type	:	1/4 λ Ground Plane Monopole at both band
Frequency Range	:	876-960 MHz & 1710-2170 MHz
Impedance	:	50 Ω Unbalanced
Polarization	:	Linear Vertical
Gain	:	0 dBb, 2.15 dBi at both bands
3 dB Beamwidth Vertical	:	E-plane 66° at 918 MHz; 55° at 1.795 GHz E-plane 60° at 1.92 GHz, 45° at 2.045 GHz
Beamwidth Horizontal	:	H-plane 360° Omnidirectional
Beam tilt	:	-18.6° at 918MHz; -46° at 1795/1920MHz, -42° at 2045MHz
V.S.W.R. in Bandwidth	:	$\leq 1.6:1$ from 876 to 940 MHz $\leq 1.8:1$ from 940 to 960 MHz $\leq 1.6:1$ from 1.71 to 2.17 GHz
Max Power	:	50 Watts (CW) at 50° C
Feed System / Position	:	Direct / Base
Lightning protection	:	DC-ground
Connector type	:	N-female

Mechanical Data

Housing Materials	:	Aluminium, Brass
Radome Material	:	High Impact Polystyrol
Radome Color	:	White (paintable)
Diameter (approx.)	:	207 mm
Height (approx.)	:	71 mm (without connector)
Weight (approx.)	:	340 gr
Mounting	:	On Ceiling (screw supplied)



MOUNTING INSTRUCTIONS

