

SPO 380-2

Sirio Professional Omni

2 dBi UHF Base Station Antenna 380-470 MHz

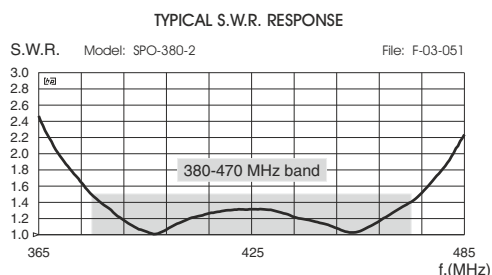
DESCRIPTION: New series of **wide band** omnidirectional base station antennas for UHF band suitable for marine service too. The fiberglass protection radome and the anodized aluminium parts guarantee robustness and long life to all the SPO-antennas series. They are supplied with two strong extruded aluminium brackets and stainless steel hardware for a good installation on the mast.

Electrical Data

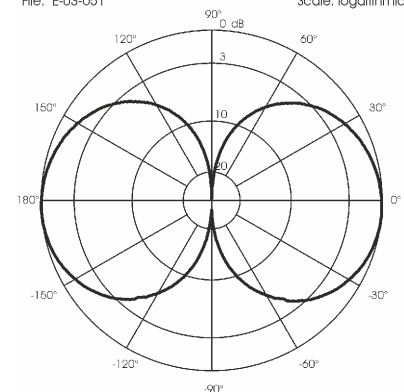
Type	Dipole
Frequency Range	380-470 MHz @ SWR ≤ 1.5
Impedance	50 Ω
Radiation (H-plane)	360° Omnidirectional - HCM code = 000ND00
Radiation (E-plane)	Beamwidth @ -3dB = 78° - HCM code = 039ND00
Radiation angle deg.	0°
Polarization	Linear Vertical
Gain	0 dBd - 2.15 dBi
Max Power	75 Watts (CW) @ 30°C ambient
Grounding Protection	All metal parts are DC-grounded, inner conductor shows a DC short
Connector	N-female, with rubber protection cap

Mechanical Data

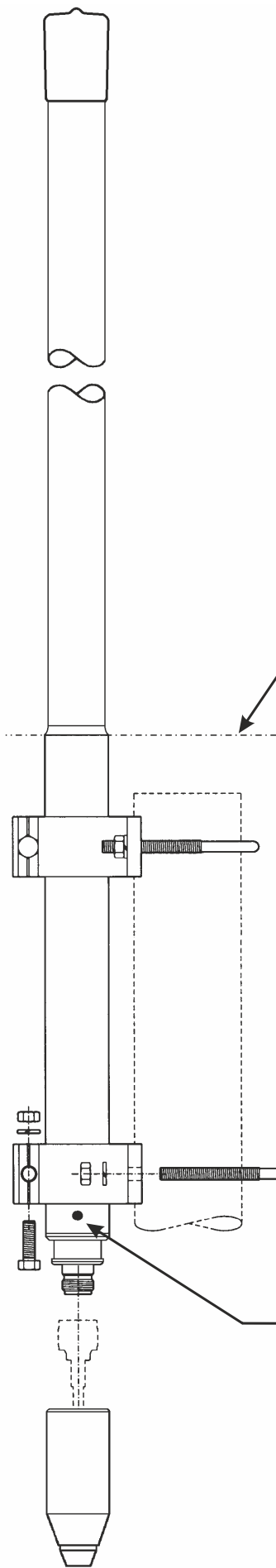
Materials	White fiberglass radome Ø 28.6 mm, anodized 6063-T5 aluminium, brass, stainless steel, copper, EPDM rubber.
Wind Load at 150 km/h	33 N
Wind Resistance	200 Km/h; 124 mi/h
Wind Surface	0.027 m ² ; 0.29 ft
Operatin temperature	-40°C to + 80°C
Height (approx.)	780 mm; 2.55 ft
Weight (approx.)	890 gr; 2 lb
Mounting Mast	Side mast with "V" bolt, Ø 35-60 mm, Ø 1.4-2.4 in



TYPICAL RADIATION PATTERN in E-plane at mid-band
File: E-03-051 Scale: logarithmic



MOUNTING INSTRUCTIONS



ATTENTION!
The mounting mast
does not have to be
higher of the
aluminium tube


ATTENTION!
Leave the drainage
hole uncovered

FT-5 fixing bracket:



FT-5 fixing bracket part list	
Q.ty	Description
2	Extruded aluminium bracket
2	M6x206 V-bolt
2	M6x20 Exagonal head screw
6	M6 Spring lock washer
6	M6 Hexagonal nut
Materials:	extruded aluminum
Hardware:	stainless steel
Dimensions :	85 x 65 x 25 mm
Weight:	220 g
Re-order code: 2519613.00	

Connector protection cap

Re-order code: TE06416

