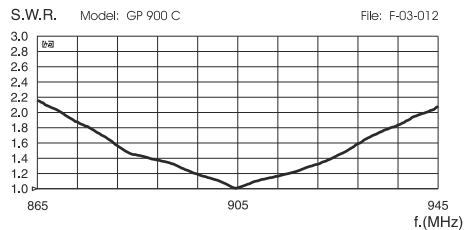


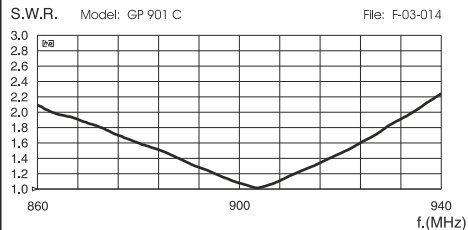
GP 900 C

TYPICAL S.W.R. RESPONSE



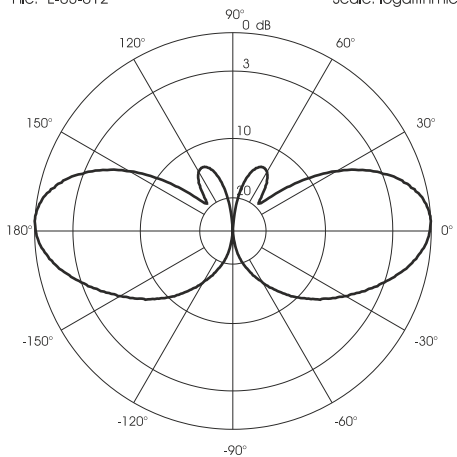
GP 901 C

TYPICAL S.W.R. RESPONSE



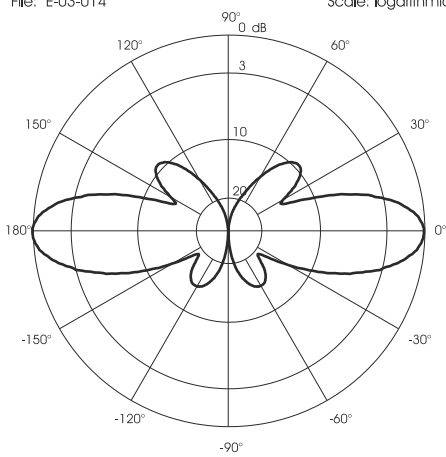
TYPICAL RADIATION PATTERN in E-plane at mid-band

File: E-03-012 Scale: logarithmic



TYPICAL RADIATION PATTERN in E-plane at mid-band

File: E-03-014 Scale: logarithmic



GP 900 C

GP 901 C

UHF Base Station Antenna 870 - 960 MHz



GP 900 C



GP 901 C



HI-QUALITY ANTENNAS MADE IN ITALY

DESCRIPTION

UHF colinear Ground Plane antenna suitable for the base station service covering the frequency range of 870 - 960 MHz. The main whip and the radials are made of 17/7 PH stainless steel and its base is of chromed brass to get the best robustness. Easy to fit, it is suitable for a handy installation everywhere.

SPECIFICATIONS

Electrical Data

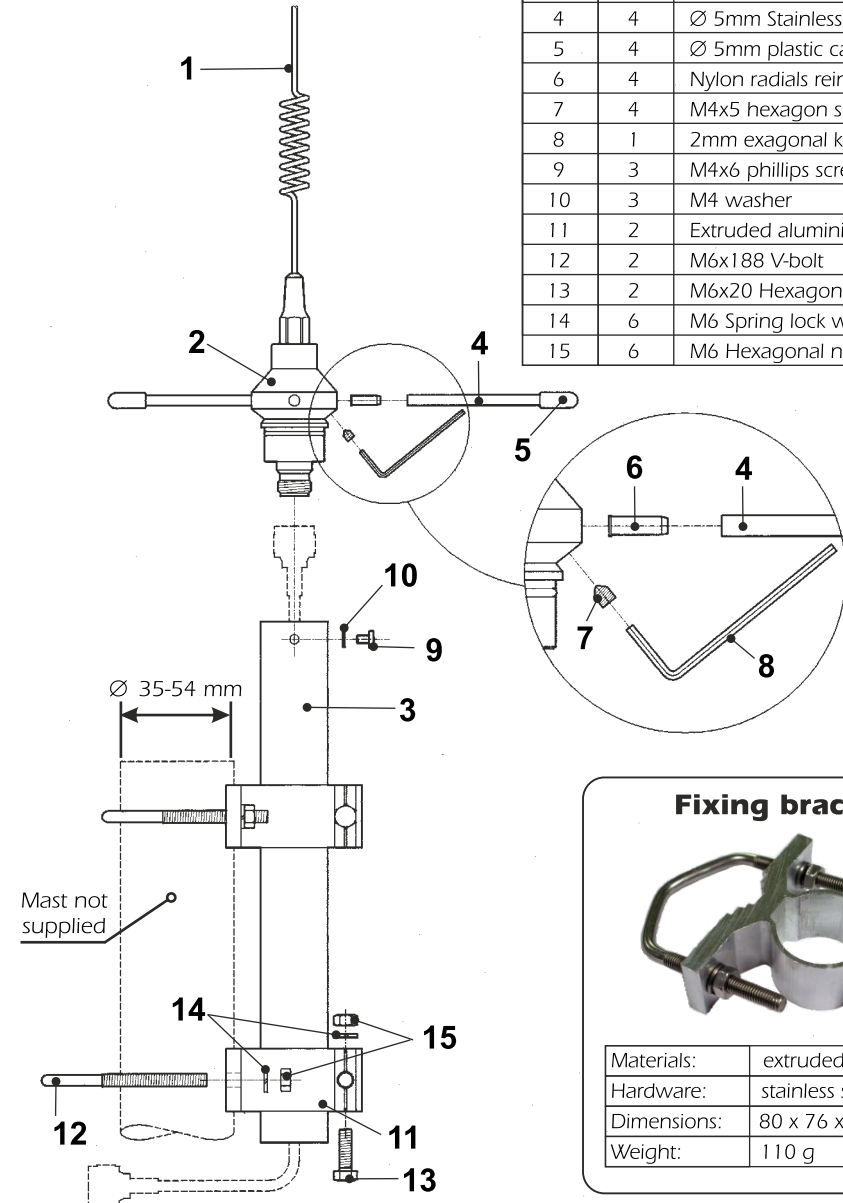
Type	: GP 900 C	$1/4 \lambda + 1/2 \lambda$ Colinear
	: GP 901 C	$1/4 \lambda + 2 \times 1/2 \lambda$ Colinear
Frequency Range	: 870-960 MHz	
Impedance	: 50 Ω	
Polarization	: Linear Vertical	
Max Gain	: GP 900 C	3 dBd, 5.14 dBi
	: GP 901 C	6 dBd, 8.14 dBi
3 dB Beamwidth Vertical	: GP 900 C	40° @ 915 MHz
	: GP 901 C	25° @ 915 MHz
Beamwidth Horizontal	: 360° omnidirectional	
Radiation Angle deg.	: GP 900 C	7°
	: GP 901 C	6°
Max Power	: 50 Watts (CW) @ 30° C	
Connector type	: N-female, gold plated central pin	

Mechanical Data

Housing Materials	: Stainless Steel, Aluminium, Chromed Brass
Wind Load / Resistance	: GP 900 C 13N @ 150 Km/h / 180 Km/h
	: GP 901 C 23N @ 150 Km/h / 180 Km/h
Wind Surface	: 0.015 m ²
Height (approx.)	: GP 900 C 360 mm
	: GP 901 C 580 mm
Weight (approx.)	: GP 900 C 580 gr
	: GP 901 C 670 gr
Radial Length (approx.)	: 75 mm
Operating Temperature	: -40° C to 80° C
Mounting Mast	: \varnothing 35-54 mm

MOUNTING INSTRUCTIONS

Part list		
Pos	Q.ty	Description
1	1	Black stainless steel whip
2	1	Chromed base
3	1	\varnothing 29x32x250mm alu. tube
4	4	\varnothing 5mm Stainless steel radials
5	4	\varnothing 5mm plastic caps
6	4	Nylon radials reinforce
7	4	M4x5 hexagon socket set screw
8	1	2mm exagonal key
9	3	M4x6 phillips screws
10	3	M4 washer
11	2	Extruded aluminium bracket
12	2	M6x188 V-bolt
13	2	M6x20 Hexagonal head screw
14	6	M6 Spring lock washer
15	6	M6 Hexagonal nut



Fixing bracket:



Materials:	extruded aluminum
Hardware:	stainless steel
Dimensions:	80 x 76 x 25 mm
Weight:	110 g